

---

# BLACKHAWK STACHE

BLACKHAWK® Stache Holsters Instruction Guide

---





2645 INTERNATIONAL PKWY  
VIRGINIA BEACH, VA 23452

BLACKHAWK.COM

BLACKHAWK IS A REGISTERED TRADEMARK OF VISTA OUTDOOR INC. COPYRIGHT © 2020 BLACKHAWK | ALL RIGHTS RESERVED

Congratulations! You have just purchased the most advanced inside the waistband holster system on the market. Here are some of its many unique features:

- Fully modular system, allows you to customize your holster for your preferred carry position and style
- Injection molded using custom engineered proprietary polymers
- 1.5" J-Style belt clip, adjustable for height and cant
- Ambidextrous, adaptable for right or left hand carry
- Form fitting smooth design minimizes bulk while maximizing comfort
- Adjustable passive retention
- Low profile shirt guard adds comfort without inhibiting draw stroke
- Designed to accept most popular handgun mounted red-dot sights
- Compatible with popular Discreet Carry Concept clips

- Compatible with an assortment of Blackhawk Stache IWB carry accessories including mag carriers and concealment claw

- Made in the USA

**⚠ WARNING! READ AND UNDERSTAND THIS ENTIRE MANUAL BEFORE USE.** This manual contains important information about the proper assembly, fit, care and use of the Stache holster. Failing to read or follow these instructions may result in serious injury or death. Store this manual in a safe place and review it periodically.

When using this holster, always follow these precautions:

- Do not place a loaded firearm into the holster without first testing the holster for proper fit as set forth in this manual.
- Keep your index finger straight and off the trigger until ready to shoot.
- Use this holster only with the specific firearm for which it is designed. Use of a firearm other than the one specified may greatly increase the likelihood

of an unintentional discharge or the defeat of the retention characteristics.

- Avoid wearing clothing or jackets with drawstrings clips or any feature that may enter the trigger guard during holstering as such items may greatly increase the likelihood of an unintentional discharge.
- Do not use with firearms that have been modified or fitted with aftermarket accessories that affect the safe performance of your firearm with the holster.
- If equipped, always carry the firearm with any manual safeties engaged.
- Never carry any gun with a round in the chamber or in a cocked position unless you are trained to do so and the gun is designed to be carried this way.
- Do not attempt to repair or modify the holster in any way. Unauthorized repairs or modifications can affect the safe performance of your holster and will void your warranty.
- User should always practice to proficiency (see

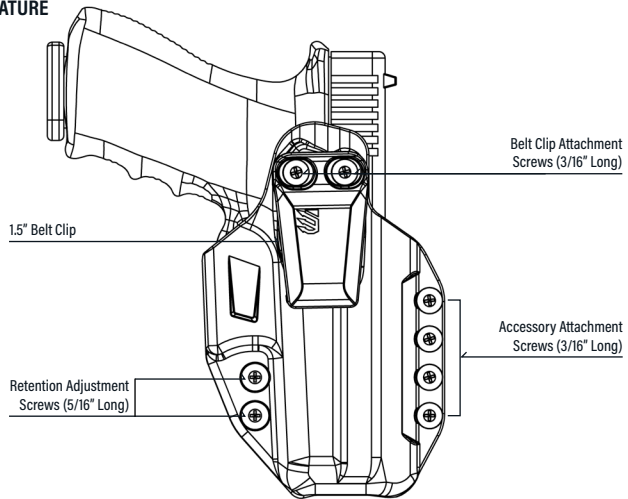
Section 4.4) before using any holster, particularly retention holsters.

- Store this manual in a safe place and review it periodically. If you misplace this manual, contact BLACKHAWK or visit us online at BLACKHAWK.COM for a replacement.

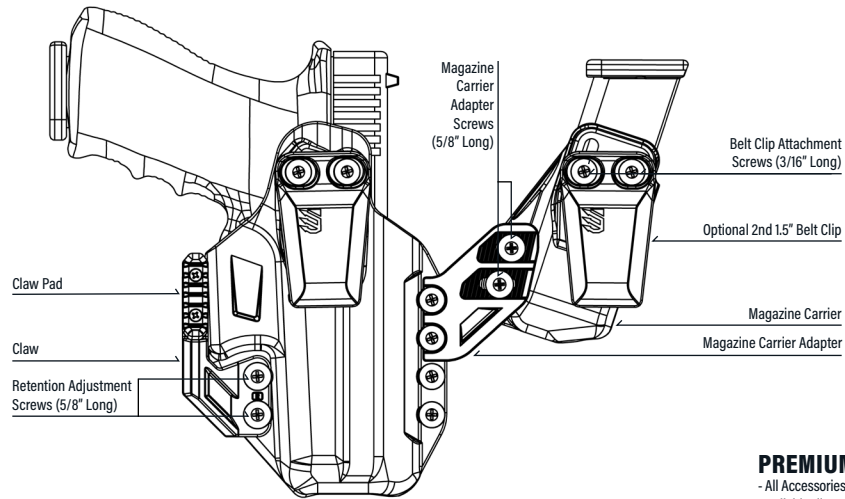
## **TABLE OF CONTENTS**

<b>SECTION 1</b> PARTS & NOMENCLATURE	06
<b>SECTION 2</b> ASSEMBLY AND CONFIGURATION	08
<b>SECTION 3</b> FIT AND ADJUSTMENT	16
<b>SECTION 4</b> USE INSTRUCTIONS	18
<b>SECTION 5</b> CARE INSTRUCTIONS	21
<b>SECTION 6</b> WARRANTY INFORMATION	22

## SECTION 1 PARTS & NOMENCLATURE



### BASE KIT



### PREMIUM KIT

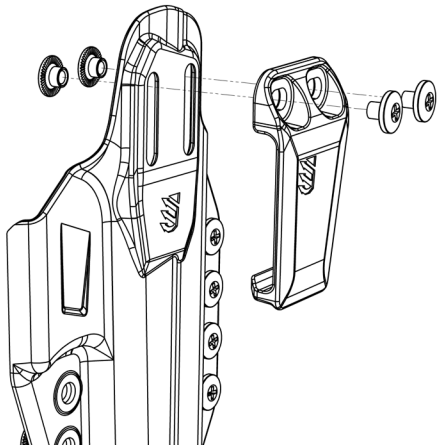
- All Accessories Included  
- Individually Available at  
BLACKHAWK.COM

## SECTION 2 ASSEMBLY AND CONFIGURATION

### SECTION 2.1 INSTALLING BELT CLIP TO HOLSTER OR MAGAZINE CARRIER

Your holster and/or magazine carrier comes from the factory without the Belt Clip installed. To install the Belt Clip:

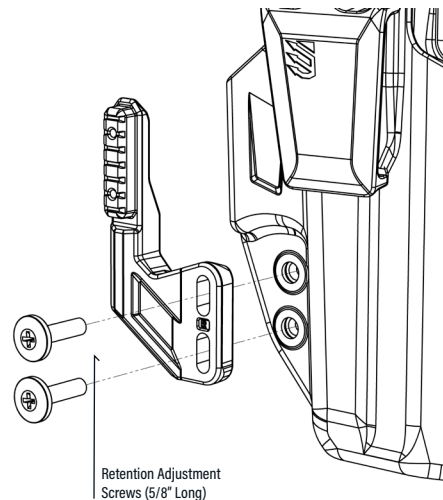
1. Place the two short 1/8" long threaded inserts into the vertical slots from the inside of the holster in the orientation shown. Note, the belt clip can be installed on either side of the holster for right hand or left hand operation.
2. Align the slots in the Belt Clip with the threaded inserts on the outside of the holster.
3. Install the two 3/16" long screws into the threaded inserts. Adjust the height and cant of the belt clip to your preference before tightening the screws fully. Tighten the screws snug, but do not overtighten. If using a torque indicating screwdriver, torque to 12 in-lbs.



### SECTION 2.2 CONFIGURING AND INSTALLING CLAW

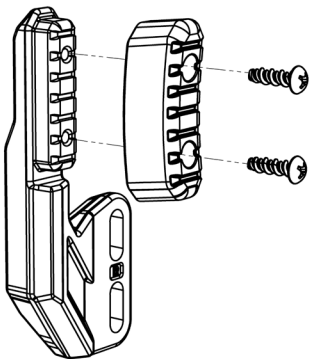
For increased concealment, the Claw may be installed using the steps listed below. The Claw acts as a lever arm that pushes on the inside of your belt. As a result, the holster and firearm will rotate slightly, better concealing the butt of the handgun.

1. Identify the correctly handed claw that is appropriate for you. Both right hand and left hand claws are included. Right hand claws are engraved with an "R" on the front, left hand claws are engraved with "L."
2. Remove the two factory installed 5/16" long Passive Adjustment Screws. Ensure that the threaded inserts and rubber spacers do not move out of position.
3. Line up the two slots in the Claw with the two holes where the Retention Adjustment Screws were. Choose your desired height adjustment and install the longer 5/8" screws that were included with your Claw kit.
4. Adjust the passive retention as directed in Section 3 of this instruction guide.



If additional Claw leverage is desired, you can install one of the two optional pads on the claw using these steps.

1. Select between the included medium or tall pads. Align pad with the upper portion of the claw as shown.
2. Install the two included 3/8" long screws using a #1 Phillips head screwdriver. Do not over torque. Stop when resistance is felt.



### SECTION 2.3 CONFIGURING AND INSTALLING MAGAZINE CARRIERS

From the factory, your magazine carrier comes detached from the holster and without a belt clip installed.

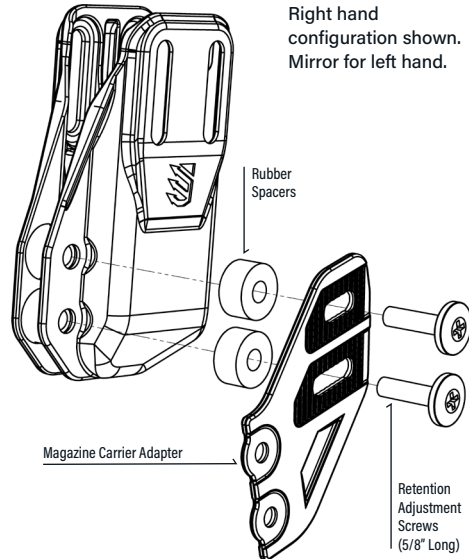
- If you choose to run your magazine carrier detached from the holster, install the 1.5" Belt Clip as described in Section 2.1 above and adjust the retention screws as described in Section 3.2 below.
- If you choose to attach your magazine carrier to your holster, follow the steps listed below.

1. Optionally install the 1.5" belt clip to the magazine carrier as described in Section 2.1.
2. Remove the two factory installed 5/16" long Retention Adjustment Screws from the magazine carrier. Ensure that the threaded inserts and rubber spacers do not move out of position. Note: Certain magazine carriers will be configured from the factory without rubber spacers and alternate threaded inserts.
3. Install two additional rubber spacers, Magazine Carrier Adapter, and the longer 5/8" Retention

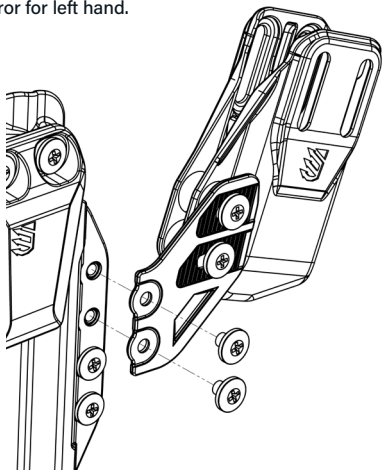
Adjustment Screws included in your kit as shown.

4. Attach the other end of the Magazine Carrier Adapter to the holster by selecting two Accessory Attachment Screws that correspond to your desired Magazine Carrier ride height.
5. Remove the two chosen Accessory Attachment Screws, line up the Adapter, and reinstall the same Accessory Attachment Screws. Tighten the screws snug, but do not overtighten. If using a torque indicating screwdriver, torque to 12 in-lbs.
6. The Magazine Carrier Adapter allows for rotation and width adjustment. Loosen the Retention Adjustment Screws as needed to adjust your carrier into your desired position, then adjust the retention screws as described in Section 3.2.

**Note:** BLACKHAWK offers 3 magazine carrier sizes. Depending on your holster fit, your kit may have shipped with the Single Stack, Double Stack, or the Micro Compact variant. See BLACKHAWK.COM to determine which Magazine Carrier fits your firearm if you would like to purchase a Carrier.



Right hand  
configuration shown.  
Mirror for left hand.



Certain firearm fits require an alternate hardware configuration to achieve adequate tension on the magazine, specifically the **Glock 43** and **S&W M&P Shield 9/40**. To fit these magazines, follow the steps below to configure the **Micro Compact Magazine Carrier** to fit your magazine. If you purchased the Premium Holster Kit, your Magazine Carrier may already be configured.

1. Remove the Retention Adjustment Screws.
2. Remove the rubber spacers, if installed inside the Magazine Carrier.
3. Remove the 1/4" threaded inserts.
4. Install the shorter 1/8" threaded inserts provided. Do not reinstall the interior rubber spacers.
5. Reinstall the Retention Adjustment Screws and exterior rubber spacers if using the magazine carrier adapter.
6. Adjust the Retention Adjustment Screws as described in Section 3.2.

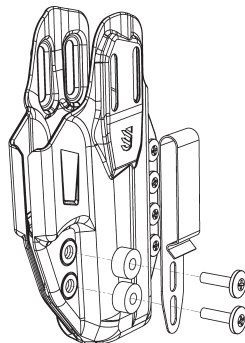
## SECTION 2.4 INSTALLING DISCREET CARRY CLIPS

Your holster is compatible with the Mod 4 series belt clips from Discreet Carry Concepts when combined with our Discreet Carry Clip Compatibility Kit, available at [BLACKHAWK.COM](http://BLACKHAWK.COM). Follow the instructions below to install a Mod 4 series clip onto your holster in any of the locations listed.

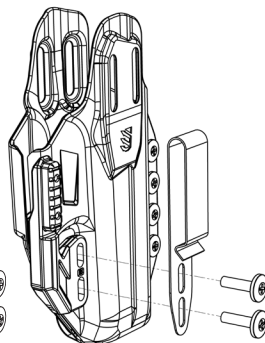
### *Retention Screw Interface*

1. If you are not using the Claw, remove the factory installed 5/16" long Retention Adjustment Screws and install the Discreet Carry Clip with rubber spacers and the 5/8" long Retention Adjustment Screws as shown.
2. If using the Claw, install the Discreet Carry Clip between the 5/8" long Retention Adjustment Screw and the Claw as shown.
3. Adjust the Retention Adjustment Screws as described in Section 3.2.

Without Claw:



With Claw:



Right hand  
configuration shown.  
Mirror for left hand.

*Accessory Attachment Interface*

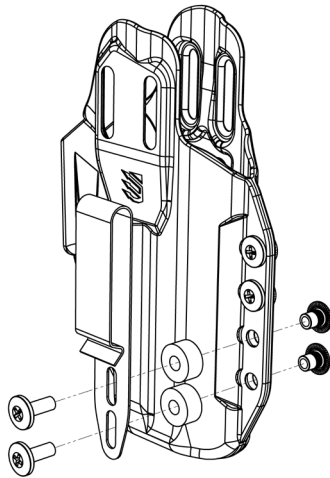
1. Choose the two Accessory Attachment Interface screws that correspond with the ride height that you want with your Discreet Carry Clip. Remove the factory 3/16" screws and corresponding 1/8" threaded inserts.
2. Install the Discreet Carry Clip using the longer 1/4" threaded inserts, rubber spacers, and 5/16" long screws as shown.

*Magazine Carrier Interface*

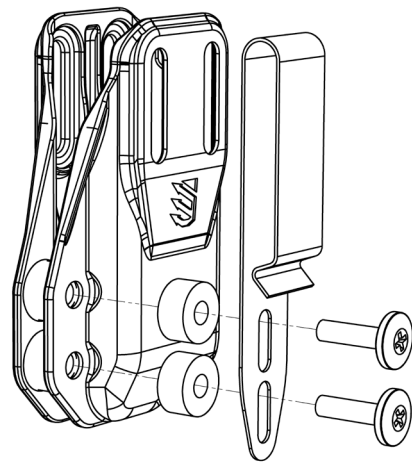
The Discreet Carry Mod 4 clips can be installed on the Magazine Carrier using the rubber spacers and 5/8" long screws as shown below. The Clips can be used with or without the Magazine Carrier Adapter.

**NOTE:**

- Do not tighten mounting screws with a power tool or otherwise apply excessive force. Doing so can damage your holster.
- Routinely check mounting screws for loosening and tighten if necessary.



Right hand configuration shown. Mirror for left hand.



Right hand configuration shown. Mirror for left hand.



## SECTION 3 FIT AND ADJUSTMENT INSTRUCTIONS

**⚠ WARNING!** Do not attempt to place a loaded firearm into your holster without carefully following these instructions with an UNLOADED firearm. Failing to follow these instructions may result in serious injury or death.

### SECTION 3.1 Proper Firearm and Holster Pairing

Before you begin, look at the back of the holster body and confirm that you have the right size and model holster designed to fit your firearm. This holster is only compatible with the firearms listed on the back of the holster. If in doubt, visit BLACKHAWK.COM or contact us at 1-406-284-3840 or ts@blackhawk.com.

**⚠ WARNING!** Do not use this holster with an incompatible, improperly maintained, or modified firearm. Failing to follow this precaution could cause an unintended discharge and/or defeat of retention

properties and result in property damage and/or serious injury or death.

### SECTION 3.2 Passive Retention Adjustment

1. Loosen both passive retention screws evenly until you can see a slight gap between the bottom of the screw head and the surface of the holster body.
2. Insert an UNLOADED firearm into the holster until the firearm is fully seated. Where compatible, make sure the under-barrel light is installed properly on your firearm before holstering. Make sure that no part of the holster interferes with the trigger, safety features, sights, magazine release, compatible accessories or any other part of the firearm.

**⚠ WARNING!** If your holster interferes with any of these parts of the firearm, DO NOT USE IT. Interferences can cause an unintended discharge and/or interfere with retention mechanisms. Do not attempt to modify or alter any portion of the holster in any way or add any lubricants or chemicals to

make your firearm fit.

3. With index finger flattened/straight, pull on the firearm. There should be little to no resistance at this point when attempting to remove the firearm.
4. Turn the passive retention screws evenly in clockwise increments to increase retention. This will compress the rubber spacers inside of the holster. Test the passive retention by pulling up on your firearm until the desired level of passive retention is achieved.

**NOTE:** Use this same procedure to adjust the mag carrier where equipped.

**NOTE:** Tightening the passive retention screws too much can inhibit your draw or wear the finish off your firearm or under barrel light (when applicable).

### SECTION 3.3 Aftermarket Firearm Accessories/Modifications

**⚠ WARNING!** Never use your holster with a firearm that has been modified with a trigger shoe, oversized sights, wide target trigger or hammer. Do not use

with any other aftermarket firearm accessory unless you first test to make sure it does not affect the safe performance of your firearm. Use with incompatible, modified or improperly installed accessories can cause an unintended discharge resulting in possible injury or death as well as potential damage to the firearm and/or holster.

Confirm the following:

1. With your firearm unloaded, repeatedly test your holster to ensure that accessories do not interfere with any retention devices or the safe holstering and drawing from the holster.

Since BLACKHAWK® cannot possibly design or test its holsters for compatibility with all possible aftermarket firearm accessories, the user assumes all risk and liability associated with use of firearm with any aftermarket accessories.

## SECTION 4 USE INSTRUCTIONS

### SECTION 4.1 HOLSTERING A FIREARM INTO YOUR HOLSTER

**⚠ WARNING!** If equipped, always carry the firearm with any manual safeties engaged. If your firearm is not equipped with an external safety selector, do not attempt to holster with a cartridge in the chamber unless you are specifically trained by a qualified instructor in holstering, carrying, and drawing firearms in this manner and have a need to do so. Never carry any gun with a round in the chamber or in the cocked position unless trained to do so and the gun is designed to be carried this way.

When holstering:

- Always keep your firearm pointed in a safe direction.
- Make sure the holster is free from any kind of obstructions that could engage the trigger.
- Always look at your holster when holstering until

proficiency is gained. Civilians should never attempt to holster a loaded firearm without looking at the holster unless proficient in this technique and properly trained by a qualified instructor.

- Never attempt to holster a firearm with your finger on the trigger or inside the trigger guard.
- Make sure the trigger, slide, and hammer do not catch on any part of the holster.
- Place firearm straight into the holster until the firearm is fully seated.
- If any resistance or trouble seating the firearm is experienced, stop immediately and determine the cause of the problem.

**⚠ WARNING!** If misused, certain unavoidable design features of some holsters can engage your firearm's trigger and cause an unintended discharge. Do not attempt to force the firearm at unnatural angles against the outside of the holster. Place the firearm directly into the holster, pay attention, and practice holstering for proficiency before using under stress.

### SECTION 4.2 CARRYING A FIREARM IN YOUR HOLSTER

**⚠ WARNING!** No holster can completely secure a weapon from unauthorized removal or falling out during certain physical activities. It is the user's responsibility to receive training in, follow, and regularly practice proper weapon retention techniques and safety precautions at all times during use. Secure the firearm in the holster with your hand during physical activity such as jumping, crawling, falling, climbing, running or tumbling. Always ensure retention device(s) is/are engaged before engaging in such physical activity. Failing to follow these instructions may result in serious injury or death.

Perform the following precautions:

1. If equipped, always carry the firearm with any manual safeties engaged.
2. Never carry a gun with a round in the chamber or in the cocked position unless you are trained to do so and the gun is designed to be carried this way.
3. If the firearm is not equipped with an external safety

selector, do not attempt to carry with a cartridge in the chamber unless specifically trained by a qualified instructor in holstering, carrying, and drawing firearms in this manner and have a need to carry in this manner.

**⚠ WARNING!** The trigger on certain firearms is unavoidably accessible while seated in Light Bearing Holsters. Extreme caution must be used during a struggle to prevent an unauthorized person from accessing and pulling the trigger.

### SECTION 4.3 DRAWING FROM THE HOLSTER

Before drawing, make sure the holster is free from dirt and other debris and that the holster is otherwise functioning properly. Proper firearms handling requires you to place your trigger finger on the frame of your firearm as the firearm comes out of the holster.

Perform the following steps:

1. After clearing any cover garment from the holster

and firearm, establish safe master grip on the weapon with your index finger extended straight along the frame of the firearm.

2. Keep your index finger straight while drawing from the holster.

**⚠ WARNING!** Do not bend your index finger while drawing or place your finger on the trigger or in the trigger guard until you are ready to shoot. Placing your finger on the trigger too soon can cause an unintended discharge and result in property damage and/or serious injury or death.

3. Draw the weapon with “safe master grip” and your finger will naturally align on the frame of the weapon above the trigger guard.

**NOTE:** It is extremely important to regularly practice drawing from your holster for proficiency.

## SECTION 4.4 PRACTICE FOR PROFICIENCY

Holsters should only be used by those who have

received proper training in the safe handling of firearms. Before attempting live-fire exercises, it is critical that you regularly practice drawing from and holstering into your holster with an unloaded firearm.

Before using in a duty setting, at a fast speed, or under stressful conditions, practice drawing, firing (live and dry), and holstering with your holster until proficiency has been attained. Proficiency depends on the individual user’s experience and skill level, but generally requires several hundred repetitions and a demonstrated ability to safely draw and holster a weapon quickly. Practice must include use under conditions of simulated stress and firearm retention techniques.

Once attained, proficiency must be maintained through frequent practice and training. BLACKHAWK!® strongly recommends dry fire drills with an unloaded weapon as well as live fire exercises.

## SECTION 5 CARE INSTRUCTIONS

**⚠ WARNING!** Failure to routinely inspect, test and care for your holster may prevent your firearm from being properly deployed and/or defeat retention characteristics. It is critical to strictly follow these care instructions. Failing to follow these instructions may result in serious injury or death.

### SECTION 5.1 INSPECTING YOUR HOLSTER

Although your holster does not have a specific service life, no holster lasts forever. Your holster’s functionality and retention properties will diminish as the holster ages and is used. Therefore, you should test and inspect your holster frequently (at least monthly) and each time before use.

Perform the following during inspection:

1. Look for cracking, deformation, missing parts, and excessive wear.

2. Adjust the passive retention screws as necessary.
3. Ensure that all other screws are securely tightened and replace missing screws immediately.
4. Ensure the holster and all retention mechanisms are free from dirt and other debris.
5. Check the functionality of holster for proper fit, holstering, retention, release, and drawing, as specified above.

### SECTION 5.2 CLEANING/DECONTAMINATING YOUR HOLSTER

1. Routinely clean your holster with warm soapy water, rinse with fresh water, and air dry.
2. Decontaminate your holster with a 10% solution of household bleach in fresh water.
3. Do not use any harsh, abrasive, caustic solutions, or petroleum derivatives on your holster.

### **SECTION 5.3**

#### **STORING YOUR HOLSTER**

**⚠ WARNING!** This is a retention holster, not a storage device. This holster is not designed to keep firearms away from children or other unauthorized persons during storage. When not in use, always keep guns locked and safely secured according to applicable local, state, and federal laws. Failing to follow these instructions may result in serious injury or death.

Store your holster indoors at room temperature. Do not expose to excessive temperature, sunlight, or humidity for extended periods of time. Improper storage can lead to premature degradation of holster performance.

### **SECTION 6**

#### **ONE YEAR LIMITED WARRANTY**

BLACKHAWK® warrants your holster to be free from defect in materials and workmanship for a period of 12 months from the date of sale. This warranty does not cover product or parts damaged or rendered defective due to accident, intentional damage, misuse, abuse, modification, neglect, normal wear and tear, improper storage, improper or unauthorized repair, use with incompatible firearms, modified firearms or firearms equipped with aftermarket accessories, or the failure to follow BLACKHAWK® warnings or care, use, maintenance, storage, or handling instructions. All warranty claims must be made within 60 days of the occurrence of the defect and must be accompanied by proof of purchase. To make a warranty claim, call our Customer Service Department at 1-406-284-3840 and follow the instructions on returning the product. In the event a product contains a defect covered by this warranty, BLACKHAWK® will, at its sole option, repair, replace, or refund the purchase price of any aspect of the product that does not comply with this warranty

at our expense. ANY WARRANTIES IMPLIED BY LAW SHALL IN NO EVENT EXTEND BEYOND DURATION OF THIS EXPRESS WARRANTY. Some states do not allow limitations on how long an implied warranty lasts, so the above limitation may not apply to you. REPAIR OR REPLACEMENT AS PROVIDED HEREIN IS YOUR EXCLUSIVE REMEDY FOR ANY DEFECTIVE PRODUCT. IN NO EVENT SHALL WE BE LIABLE FOR ANY SPECIAL, INCIDENTAL, OR CONSEQUENTIAL DAMAGES OF ANY KIND ARISING OUT OF THE PURCHASE OR USE OF THIS PRODUCT, WHETHER BASED UPON CONTRACT, TORT, STATUTE, OR OTHERWISE. Some states do not allow the exclusion or limitation of incidental or consequential damages, so the above limitation or exclusion may not apply to you. This warranty gives you specific legal rights, and you may also have other rights which vary from state to state.

#### **CONTACT US:**

2645 INTERNATIONAL PKWY  
VIRGINIA BEACH, VA 23452  
1-406-284-3840

TS@BLACKHAWK.COM  
BLACKHAWK.COM

