

Bushnell®

R-SERIES R5



3-9x40



3-9x50

RIFLESCOPE OWNER'S GUIDE

Model # R5-3940S9 & R5-3950S9

08-24



BUILT FOR THE PURSUIT

Click on each topic in the Table of Contents to go directly to it.

TABLE OF CONTENTS

KEY ELEMENTS OF A RIFLESCOPE	3
MOUNTING YOUR RIFLESCOPE	4
PRELIMINARY SCOPE ADJUSTMENTS - SETTING THE DIOPTER	4
ACTIVATING THE BATTERY	4
ATTACHING A MOUNT, RINGS AND SCOPE TO YOUR RIFLE	4
SIDE PARALLAX AND ILLUMINATION CONTROLS	5
ELEVATION AND WINDAGE TURRETS	5
PRELIMINARY SIGHTING-IN	5
FINAL SIGHTING-IN	6
RESETTING THE TURRET KNOBS	6
ILLUMINATED MULTI-X RETICLE	6
STORAGE	7
CARING FOR YOUR RIFLESCOPE	7
MAINTENANCE	7
GLOSSARY OF COMMON RIFLESCOPE TERMS	8
TECHNICAL SPECIFICATIONS	9
WARRANTY	9
LANGUAGE	
FRANÇAIS	10
ESPAÑOL	16
DEUTSCH	22
ITALIANO	28

YOU'VE MADE THE RIGHT DECISION BY CHOOSING THE BUSHNELL R5 RIFLESCOPE!

Bushnell® is constantly at the forefront of quality and value, and R5 Series riflescopes are no exception. Bushnell R5 riflescopes are built with premium technology. Fully multi-coated lenses and dry nitrogen purged IPX7 construction offer crisp, bright images in any environment.

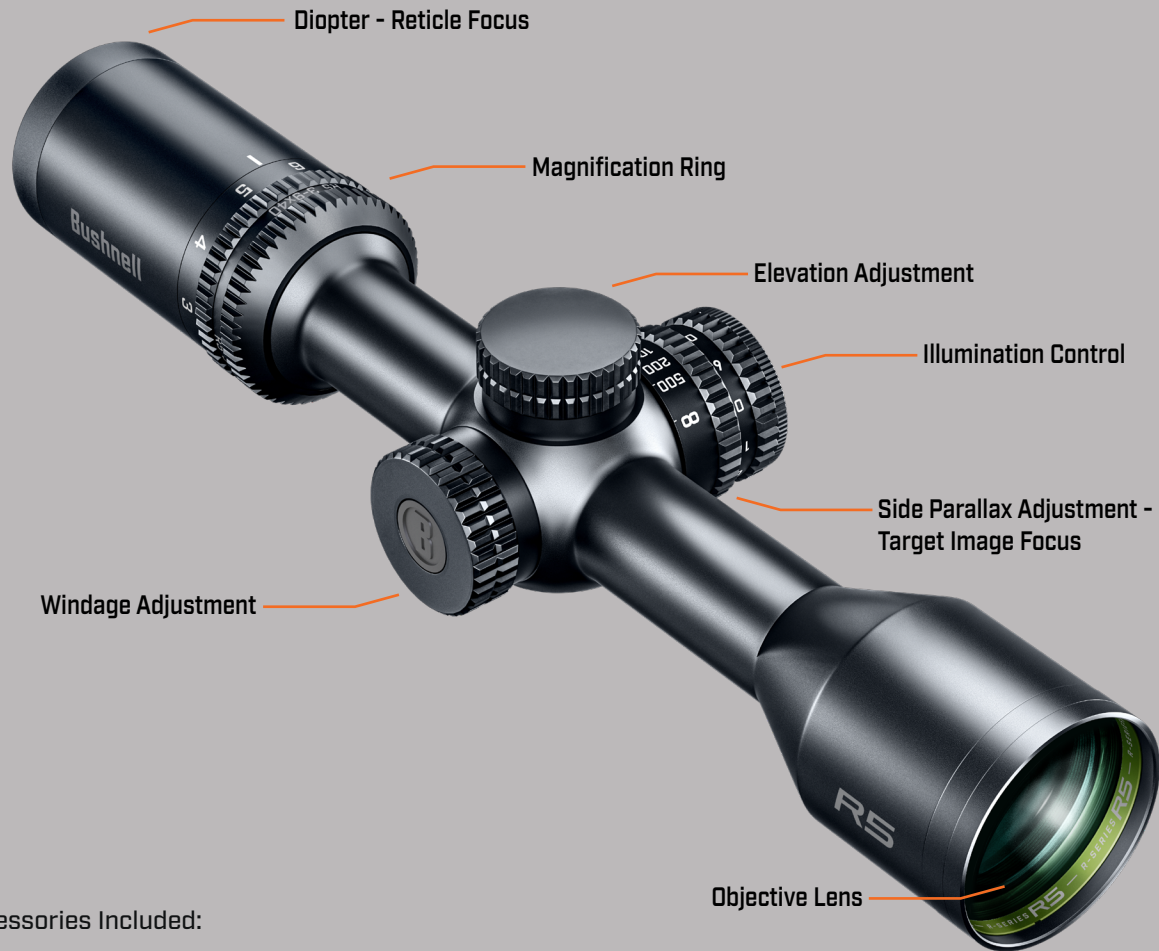
The R5 riflescope is designed specifically for the short - mid range hunter. The illuminated 1/4 MOA floating dot helps aid those fast shots, but it also has opportunities for longer shots with the aid of the integrated 2 MOA spaced hold points on the reticle. The riflescope has an improved optical design with fully multi-coated surfaces, and our ultra wideband coatings provide enhanced light gathering and clarity.

Scan the code to download the free Bushnell Ballistics App. The Bushnell Ballistics App is a full-featured ballistics solver to use with your Bushnell rangefinders and riflescopes to calculate firing solutions. It allows you to use current atmospheric conditions to calculate the holds and display the ranges at each subtension on your reticle. Many more features to enhance your shooting experience.



PARTS GUIDE

*Model 3-9x40 shown below



Accessories Included:

- > Lens Caps
- > Cleaning Cloth



WARNING: NEVER LOOK AT THE SUN THROUGH THE RIFLESCOPE (OR ANY OTHER OPTICAL INSTRUMENT). IT MAY PERMANENTLY DAMAGE YOUR EYES.

KEY ELEMENTS OF A RIFLESCOPE

1. **Objective Lens:** This lens has three functions. First, it permits light to pass into the scope. Second, it determines resolution. Generally, larger lenses allow more light to enter the scope and resolve details better than smaller ones. Finally, it forms an image for the other lenses to magnify to a usable size. The image formed by this lens is upside down.
2. **Erector System:** The erector system serves several functions. Its primary function is to erect the image (that is, flips the image right-side up) and align it to the reticle. During this process, primary magnification of the image takes place. These two functions are the result of lens action.
3. **Windage & Elevation Controls:** The erector lenses are housed in a tube that is fixed at one end, while the other end of the tube is free to move and respond to adjustments. By moving the erector system, the point-of-aim of the scope is adjusted to match the point-of-impact of the bullet.
4. **Reticle:** In simple terms, the aiming device around which the scope is built. This element replaces the iron sight system of non-scoped rifles.
5. **Ocular or Eye Lens:** This element provides the secondary and final magnification of the image.

MOUNTING YOUR RIFLESCOPE

Your new scope, even with its technologically advanced design and features, will not perform at its best if not properly mounted. One of the most important contributing factors to the precision of your scope and rifle is the selection of the mount and the care with which mounting is done. Dependable mounts that attach your scope securely to the rifle will reward you with precision and repeatability. You should take as much care in selecting a mounting system as you did in selecting your scope.

Remember, not all scopes are compatible with all mounts on all rifles. If there is any doubt in your mind, you should seek the advice of your local retailer or gunsmith.



WARNING: A RIFLESCOPE SHOULD NEVER BE USED AS A SUBSTITUTE FOR EITHER A BINOCULAR OR SPOTTING SCOPE. IT MAY RESULT IN YOU INADVERTENTLY POINTING THE FIREARM AT ANOTHER PERSON.

PRELIMINARY SCOPE ADJUSTMENTS - SETTING THE DIOPTER



WARNING: DO NOT LOOK TOWARDS THE SUN WHILE SETTING THE DIOPTER!

Before installing the scope, we recommend you set the diopter adjustment to fit your individual eyesight. Refocusing the diopter will result in a sharper reticle focus, an improved optical image, and will help to avoid eye fatigue when using the scope for prolonged periods of time. To refocus, hold the scope about 3 to 4 inches from your eye and point at a flatly lit area such as a light colored painted wall.

Quickly glance into the scope. If the reticle appears blurred at first glance, it is out of focus. Turn the eyepiece clockwise or counter clockwise while looking into the scope until reticle sharpness is improved. Look away from the eyepiece for a couple of seconds and then glance into the scope again to check the sharpness of the reticle. Remember to take quick glances, as the eye will compensate for slightly out of focus conditions with prolonged looks. If the reticle does not appear in focus right away, continue to make fine adjustments. Repeat this procedure until the reticle is sharp and clearly defined right away when looking into the scope.

Unless your eyes undergo a significant change over the years, you will not have to make this adjustment again.

ACTIVATING THE BATTERY

Before powering on your scope's illumination feature for the first time, you must activate the installed CR2032 lithium battery by removing the isolator disc.

1. Unscrew the battery cap counterclockwise, located on the end of the Illumination Control on the left side of the scope. We suggest holding the Illumination Control Ring steady while unscrewing the battery cap.
2. Once the cap is off, tip the battery out of the scope. Locate the plastic disc and remove it.
3. Replace the battery and battery cap.



Note: Remove the plastic disc under the button battery before first use.

Should your reticle grow dim or not light, replace the battery, following the installation procedure described above.

CAUTION: Improper installation of the battery may damage the internal contacts. Ensure that the positive (+) side faces up and the negative (-) side is down.

ATTACHING A MOUNT, RINGS AND SCOPE TO YOUR RIFLE



WARNING: BEFORE BEGINNING THE MOUNTING PROCEDURE, BE SURE THE ACTION IS OPEN, THE CLIP OR MAGAZINE IS REMOVED AND THE CHAMBER IS CLEAR. DO NOT ATTEMPT ANY WORK UNTIL YOUR FIREARM HAS BEEN CLEARED AND DETERMINED TO BE SAFE.



WARNING: IF THE SCOPE IS NOT MOUNTED FAR ENOUGH FORWARD, ITS REARWARD MOTION MAY INJURE THE SHOOTER WHEN THE RIFLE RECOILS.

In mounting your scope, we recommend that you DO NOT take short cuts as it may lead to damage to either the mounting system or to the scope. Each mounting system will have its own instructions to follow, and it is best to read the instructions first to be sure you understand them and have the necessary tools on hand.

We further recommend that you plan to go through the mounting procedure twice. The first time, to be sure everything fits together and functions properly. On the first run through, please keep the following in mind:

- › Before attaching the base, clean the mounting holes in the receiver and the threads of the attaching screws with high concentrate rubbing alcohol or any good solvent to free them of oil or grease.
- › If the mount manufacturer has recommended the use of a thread adhesive, do not use it on the first mounting trial. Once adhesive has set, it is difficult to demount if anything needs correction and will leave residue.
- › Be sure the mounting screws do not protrude into the receiver.
- › When using dovetail, twist-in or twist-and-lock ring mounts, do not use the scope as a lever when installing the scope. The initial resistance to turning may cause damage to the scope and is not covered by the warranty. We recommend using a wooden dowel or metal cylinder to seat the rings.
- › Be sure the position of the scope does not interfere with the operation of the action.

- › Be sure there is at least 2mm of clearance between the edges of the rings and any protruding surfaces such as the turret housing (saddle), power selecting ring, and the flare of the objective bell. Also be sure there is at least 3mm of clearance between the objective bell and the barrel.
- › You should test position the scope for the proper eye relief. The scope rings should be left loose enough so that the scope will slide easily. Variable power scopes should be set at the highest magnification when performing this procedure. Mount scope onto the rifle and look through the scope in your normal shooting position.
- › Test position the rifle for the proper cheek welds several times to ensure that your scope is positioned properly.
- › When you are satisfied that everything is okay, mark relative positions with masking tape or similar, demount and start again. This time, seat all screws firmly.
- › The use of a torque wrench is recommended to ensure adequate fastening without over-tightening. Refer to the base and rings user-instructions for torque values.

SIDE PARALLAX AND ILLUMINATION CONTROLS

- › The inboard side-focus control ring should be set to target distance to both focus the target image and remove parallax error.
- › The outboard illumination control has 6 intensity settings with alternating off positions. If illuminating the reticle is desired, change to an appropriate setpoint. The brightness will increase with higher numbers. Turn the dial to any 0 position when illumination is not desired or the scope is not in use to preserve battery life.



ELEVATION AND WINDAGE TURRETS

Bushnell R5-Series scopes feature finger-adjustable audible-click elevation and windage adjustments.

1. Remove the caps from the Elevation and Windage Adjustments.
2. Grasp the turret dial and turn it in the appropriate direction indicated by the arrows. Each "click" or increment on the Adjustment Scale Ring will change bullet impact by 1/4 Minute of Angle. 1/4 MOA corresponds to approximately 1/4 inch at 100 yards, 1/2 inch at 200 yards, etc.



Elevation Turret



Windage Turret

VARIABLE POWER ADJUSTMENTS - MAGNIFICATION

To change magnification, rotate the Power Change Ring to align the desired number on the power scale with the index dot. When still-hunting or stalking game, a variable scope should be set to the lowest power. You then have the widest field of view for quick shots at close range. Higher powers should be reserved for precise long-range shots.

PRELIMINARY SIGHTING-IN

You can save a significant amount of expense and frustration by pre-sighting the scope to the rifle before you take it to the range for zeroing.

There are two basic methods that can be used for pre-sighting your scope. Method one is to use a Bushnell® Bore Sighter (laser, magnetic or standard). The use of a Bore Sighter saves time and ammunition and is the system most often used by gunsmiths. The second method is traditional bore sighting:

BORE SIGHTING METHOD

1. If a rimfire rifle application, place a target at 25 to 50 yards. If it is a centerfire rifle, place the target at 50 to 100 yards.
2. Remove the bolt from the rifle.
3. Place the rifle on sandbags or a shooting rest.
4. Set the scope to its lowest magnification.
5. Peer through the bore from the receiver and adjust the position of the rifle to center the target bull's eye in the bore (Fig. A).
6. Without moving the rifle, look into the scope and note the position of the reticle on the target. Remove the caps from the windage and elevation adjustments. Adjust the windage and elevation adjustments to center the reticle on the bull's eye (Fig. B).

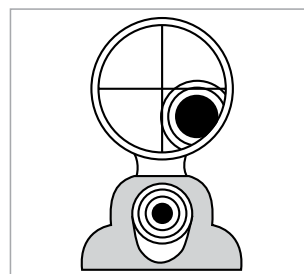


Fig. A
Reticle not in alignment

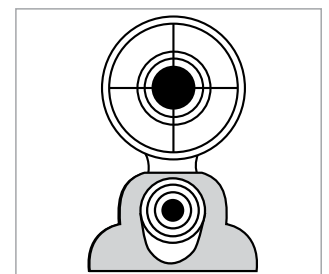


Fig. B
Reticle in alignment

FINAL SIGHTING-IN



WARNING: SINCE THIS PROCEDURE INVOLVES LIVE FIRE, IT SHOULD BE DONE AT AN APPROVED RANGE OR OTHER SAFE AREA. CHECK BORE FOR OBSTRUCTIONS. AN OBSTRUCTED BORE MAY CAUSE INJURY TO YOU AND OTHERS NEARBY. EYE AND EAR PROTECTION IS RECOMMENDED.

1. From a steady rest position, fire two or three rounds at a 50-100 yard target. Note the impact of the bullet on the target and adjust the windage and elevation dials as needed.
2. To move the bullet's point-of-impact relative to the reticle's point-of-aim, turn the windage and/or elevation adjustments in the direction on the dials that corresponds to the direction that you want the point-of-impact to change to on the target (for example, if test shots are hitting low, adjust the elevation direction "up"). The adjustments on your riflescope model are marked in MOA (minutes of arc), and the point of impact at 100 yards will change by 1/4 MOA or approximately 1/4 in. for each click of the windage or elevation adjustment. One full revolution of the adjustment=15 MOA.
3. When the impact on the initial target distance is satisfactory, switch to a target set at the desired distance for final zeroing (50 yards is recommended for rimfire applications and 100 yards for centerfire). Set the magnification to the desired power on variable power models.

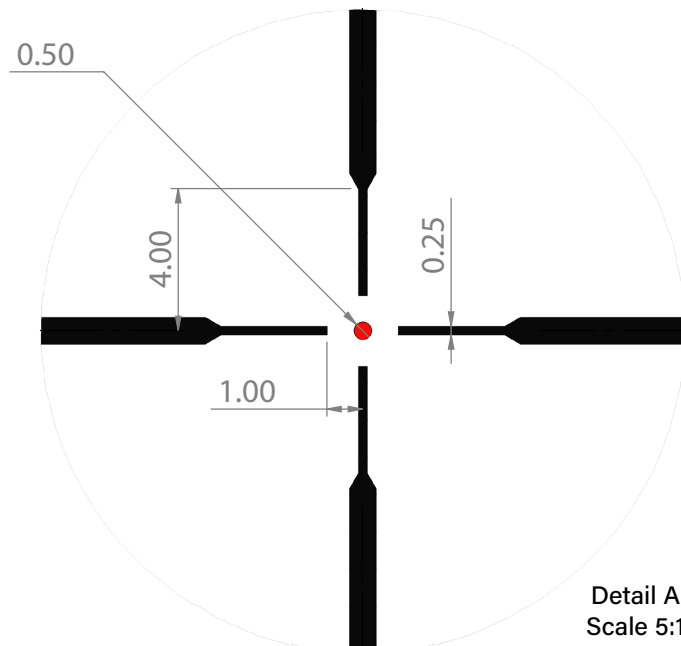
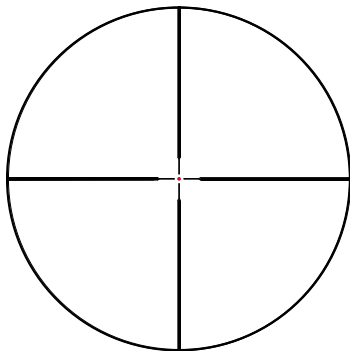
RESETTING THE TURRET KNOBS

1. While holding a turret knob steady with your free hand (to avoid accidental adjustment), use a coin, key or flathead driver to remove the turret cap-screw found on top of the turret knob.
2. Remove the turret knob and return it to the inner turret with the "zero" mark on the knob lining up with the vertical index line on the inner turret body.
3. Return the turret knob screw to the top of the knob and tighten it down, making sure to steady the turret knob with your free hand so the turret knob does not turn while tightening the screw.
4. Repeat for the other turret knob.



ILLUMINATED MULTI-X RETICLE

Dimensions in MOA



STORAGE

Avoid storing the scope in hot places, such as the passenger compartment of a vehicle on a hot day. The high temperature could adversely affect the lubricants and sealants. A vehicle's trunk, a gun cabinet or a closet is preferable. Never leave the scope where direct sunlight can enter either the objective or the eyepiece lens. Damage may result from the concentration (burning glass effect) of the sun's rays.

CARING FOR YOUR RIFLESCOPE

Your scope needs very little maintenance. Exterior metal surfaces should be kept clean. A light dusting with a slightly dampened soft cloth is enough in most cases.

Your new scope features windage and elevation turrets that are completely sealed against water intrusion. However, we recommend that you keep the windage and elevation caps on the turrets, except when adjusting, to prevent dust and dirt from collecting in the turret area.

We also recommend that lens covers, or a scope cover of some type, be kept in place when the scope is not being used. Lenses should be inspected regularly and always kept clean. Dust, dirt, and fingerprints that collect on the lens surfaces will severely degrade image quality, and if left unclean for long periods, the anti-reflection coating could be damaged. Although lens cleaning is not difficult, it does require care and some patience.

- › If there is heavy soiling like from dried mud, low-pressure clean water should be used to flush the debris away.
- › Start with a lens brush or a small, unused soft bristle hobby paintbrush or makeup application brush. Gently whisk away loose dirt particles.
- › Next, use an ear syringe or bulb aspirator (available in most drug stores) to blow remaining dirt or dust from lens surfaces. Do not use pressurized air like from an air duster can or air compressor.
- › If further cleaning is needed, use a dry, soft lint-free cloth. Very gently wipe the lens, starting at the center using a circular motion, then working outward to the edge. If this has not correct the problem, repeat the process using condensation from your breath.



WARNING: UNNECESSARY RUBBING OR USE OF A COARSE CLOTH MAY CAUSE PERMANENT DAMAGE TO THE LENS COATINGS.

MAINTENANCE

Your riflescope, though amazingly tough, is a precision instrument that deserves reasonably cautious care.

- › When cleaning the lenses, first blow away any dry dirt and dust, or use a soft lens brush. Fingerprints and lubricants can be wiped off with lens tissue, or a soft clean cloth, moistened with lens cleaning fluid.
- › All moving parts of the scope are permanently lubricated. Do not try to lubricate them.
- › Little to no maintenance is needed for the scope's outer surface. Black oxide screws are sometimes used to seal purge ports and/or for the power-change-ring to erector connection. If the scope is exposed to water, consider applying a thin film of typical firearm oil to these screws during routine firearm maintenance to mitigate corrosion.
- › Use lens covers, if available and whenever convenient.

ALTITUDE AND TEMPERATURE

Ballistic charts published by ammunition manufacturers are based upon standard sea level conditions. When sighting in, it is well to keep in mind that altitude and temperature affect trajectory. It is best to sight-in under the same conditions in which you will be hunting.

TECHNICAL SPECIFICATIONS

SKU	Mag x Obj. Diam.	Reticle	Turrets	Total Elevation	Total Windage	Travel per Rev	Main Tube Diameter (in)	Average Eye Relief (in/mm)	Field of View ft @ 100 yds m @ 100 m	Length (in/mm)	Weight (oz/g)
R5-3940S9	3-9x40	Illuminated Multi-X	Capped	80 MOA	80 MOA	15 MOA	1	3.9/100	35ft - 12ft/11.7m - 4m	11.5/292	19.5/553
R5-3950S9	3-9x50	Illuminated Multi-X	Capped	80 MOA	80 MOA	15 MOA	1	3.9/100	35ft - 12ft/11.7m - 4m	12.3/313	21.7/614

GLOSSARY OF COMMON RIFLESCOPE TERMS

Aberration - Aberrations are imperfections inherent to all optics designs. The best optics limit aberration as much as possible to provide a clear, accurate image. One example of aberration is chromatic aberration, which occurs when lenses in an optic incorrectly refract different colors of light. The result of this aberration is differing focal points and a distorted image.

Bullet Drop Compensation - BDC The principle of interaction between the fired bullet, gravity, and target indicators.

Coatings - Microscopic coatings on the lens surfaces reduce light loss and glare due to reflection. Coated lenses offer a brighter, higher-contrast image with less eyestrain. More coatings allow better light transmission, but it is possible to have a scope with a single coating to outperform a scope with multicoated lenses greatly. It all depends on the quality of the coatings and the glass. Good quality does not come cheap. The following are acceptable terms for coatings:

- Coated: A single layer on at least one lens surface.
- Fully Coated: A single layer on all air to glass surfaces.
- Multicoated: Multiple layers on at least one lens surface.
- Fully Multicoated: Multiple layers on all air to glass surfaces.

Click - A click is one adjustment notch on the windage or elevation turret of a scope. One-click most often changes a scope's point of impact 1/4 inch at 100 yards. Some clicks are 1/8 inch, 1/2 inch, one inch, or even more.

Exit Pupil - An exit pupil is the small circle (column) of light visible in the ocular lens when you hold your scope (or binocular) at arm's length. The larger the exit pupil is, the brighter the image entering your eye. To find the exit pupil for your scope, divide the objective lens diameter in millimeters by the magnification. For example, if your scope is four power (4X), and your objective lens is thirty-six millimeters in diameter (36mm), divide four into 36, and it equals 9. Therefore, nine would be the exit pupil size in diameter in millimeters. Typically measured in millimeters, the larger the size of the exit pupil, the brighter the scope image will be.

Eye Relief - Eye relief is the distance your eye must be from the ocular lens and still get a full field of view. This measurement is usually defined in inches.

First Focal Plane - FFP is an indication of the first (focal) plane to the position of the reticle. FFP scopes retain the amount of stretch, while the size of the crosshair of the sight will correlate with the image's magnification.

Field of View - Field of view (FOV) is the amount of area seen through your scope from right to left at 100 yards. As magnification is increased, FOV is lessened. As magnification is decreased, FOV is increased.

Hold Over/Under - Holdover/under is the amount of point of aim change either above or below your target, without adjusting your scope, to adjust for the trajectory of your projectile.

Illuminated Reticles - Many rifle scopes have battery-operated reticles that light up when activated. In hunting, this color is nearly always red. In tactical conditions, green is often another available color. The entire part, center, or certain feature of a reticle can be illuminated.

Magnification - Also called the power setting or rating, magnification is a power rating that defines how much or far the scope will magnify your sight. Power settings are measured against the naked eye. For example, a 3 power scope would offer the user 3 times the view of what they could see with the naked eye, while a 10 power would mean 10 times the power of the naked eye.

Main tube - The main tube is the scope portion between the objective bell and the eyepiece. Most scopes have either a 1-inch or 30mm main tube. The added tube diameter increases windage and elevation travel range. Long-range target scopes may have tube diameters between 34 and 36mms. Scope rings are built to specific scopes with specific main tube diameters.

MIL/MRAD - Milliradians of Angle - A measurement system is used to determine the correct elevation and windage adjustments to sight in your scope. Typically found on European-based optics.

Minute of Angle - Minute of Angle (MOA) is a unit of measurement within a circle and is 1.0472 inches at 100 yards. For all practical purposes, it is called 1 inch at 100 yards. It is 2 inches at 200 yards, 5 inches at 500 yards, one-half inch at 50 yards, etcetera.

MOA is generally the standard for measuring the accuracy of a rifle. A rifle that will shoot a 3 to 5 shot group that measures under an inch, it's considered an MOA shooter. If it groups at 1/2 an inch, it's a sub-MOA shooter.

MIL vs. MOA: MIL is a common abbreviated form of milliradians, while MOA is an abbreviation of Minute of Angle. Both are measurements of angle (not distance or length, as some shooters believe). As ranges increase, so does 1 MOA or 1 MIL value. At 100 yards, an MOA is 1.047 inches, so a scope with 1/4 MOA per click adjustments should move the point of impact about .25-inches every click at 100 yards (and .50-inches at 200 yards). One MIL is 3.6 inches at 100 yards, and since most MIL scopes have 1/10 click adjustments, each click will adjust the point of impact by .36 inches at 100 yards.

Objective Lens - The objective lens is the lens closest to the object being viewed. It is measured in millimeters in diameter. A larger objective lens allows more light to enter the scope.

Original Zero - This is the distance you sighted your scope. Zero reset features are popular for getting you back to your original zero. When dialing up/making scope adjustments, you don't need to remember how many clicks you made and how to get back. Instead, turn the turret back till it stops, and you're back to your 100 yards or "x" yard zero.

Parallax - Parallax is an optical error or illusion typically found in scopes designed for longer ranges. Without getting overly technical, parallax occurs when the optical image that you see through the scope is created in front of behind the reticle. This means that the target you are looking at isn't being correctly portrayed in its actual location. Some scope models feature a parallax compensation feature built-in to correct this issue. The most popular parallax compensation seen today is either through a front objective lens or side focus parallax. With these features, the shooter can adjust the distance (typically in yards) to the target, and the scope is preset to be parallax-free at those predefined distances. Most riflescopes without adjustable objectives are set at 100 or 150 yards. Rimfire scopes are often set at 50 or 60 yards, and shotgun scopes are often set at 60 or 75 yards.

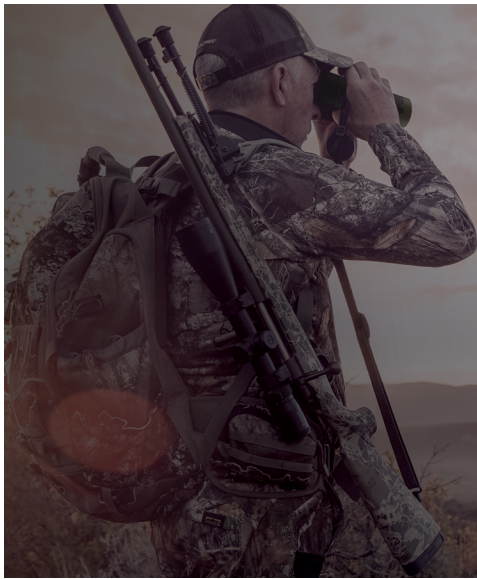
Reticle - Reticle refers to the sighting device used for a specific scope. A reticle is a system of lines, dots, or crosshairs in your scope that appear superimposed on your target. Reticles come in various variations and configurations, designed for very specific uses.

Trajectory - The trajectory is the flight of your projectile after it leaves the barrel. This flight is an arc. The amount of arc depends on the projectile weight and velocity.

Turret - A turret is one of two knobs in the outside center part of the scope tube. They are marked in increments and are used to adjust elevation and windage for points of impact change. These knobs protrude from the turret housing.

Windage - This is the horizontal crosshair of the reticle.

Zero - Zero is the distance you are sighted in and references the flight of the projectile. For example, if you are sighted in at 200 yards, you have a 200 yard zero.



Bushnell®

R - SERIES

R5



BUILT FOR THE PURSUIT

[Click to read Warranty Details](#)

NO MATTER WHAT

Warranty does not cover theft, loss, deliberate damage, or cosmetic damage not affecting product Performance.

Valid in the United States and Canada Only/Valable aux États-Unis et au Canada Uniquement.

DO YOU NEED TO SEND YOUR SCOPE TO US?

Before returning your scope for service, you should check the following points to make sure the problem is with the scope:

- › Check the mounting system and rings for looseness or misalignment.
- › Check to be sure the barrel and action are properly bedded, and all receiver screws are tight.
- › Check to be sure the mounting system allows sufficient clearance between the objective bell and the barrel.
- › Check to be sure you are using the same type and weight ammunition that you used for sighting-in.

For assistance with your Bushnell riflescope, contact the US and Canadian customer service team by calling 1-800-423-3537 during the days and times listed below:

- › Monday-Tuesday, 8:00 am to 6:00 pm CST
- › Wednesday-Thursday 8:00 am to 4:30 pm
- › Friday 8AM to 2PM

If you are calling with a product related issue, please have the product available when you call.

*Modèle 4-12x40 illustré
ci-dessous



Accessoires inclus :

- > Couvre-lentilles
- > Chiffon de nettoyage

¡TOMÓ LA DECISIÓN CORRECTA AL ELEGIR LA MIRA PARA RIFLE BUSHNELL R5!

Bushnell® est constamment à la pointe du rapport qualité-prix, et les lunettes de visée de la série R5 ne font pas exception. Les lunettes de visée Bushnell R5 sont fabriquées avec une technologie de pointe : des lentilles entièrement multi-couches et une construction IPX7 purgée à l'azote sec offrent des images nettes et lumineuses dans n'importe quel environnement.

La lunette de visée R5 est conçue spécifiquement pour le chasseur à courte et moyenne portée. Le point flottant illuminé 1/4 MDA aide à des tirs rapides, mais il offre également des opportunités pour des tirs plus longs avec les points de maintien intégrés espacés de 2 MDA sur le réticule. La lunette de visée a un design optique amélioré avec des surfaces entièrement multi-couches, et nos revêtements ultra-large bande fournissent une collecte de lumière et une clarté améliorées.

Scannez le code pour télécharger l'application gratuite Bushnell Ballistics. L'application Bushnell Ballistics est un solveur balistique complet pour calculer les solutions de tir avec vos télémètres et lunettes de visée Bushnell. Elle vous permet d'utiliser les conditions atmosphériques actuelles pour calculer les positions de maintien et afficher les distances à chaque subtension sur votre réticule, ainsi que de nombreuses autres fonctionnalités pour améliorer votre expérience de tir.



AVERTISSEMENT : NE JAMAIS REGARDER LE SOLEIL À TRAVERS LA LUNETTE DE VISÉE (OU TOUT AUTRE INSTRUMENT OPTIQUE). CELA PEUT ENDOMMAGER VOS YEUX DE MANIÈRE PERMANENTE.

ÉLÉMENTS CLÉS D'UNE LUNETTE DE VISÉE

1. **Lentille objective :** Cette lentille a trois fonctions. Tout d'abord, elle permet à la lumière de pénétrer dans la lunette. Deuxièmement, elle détermine la résolution. En général, les lentilles plus grandes permettent à plus de lumière d'entrer dans la lunette et résolvent les détails mieux que les plus petites. Enfin, elle forme une image que les autres lentilles vont agrandir à une taille utilisable. L'image formée par cette lentille est à l'envers.
2. **Système érecteur :** Le système érecteur a plusieurs fonctions. Sa fonction principale est de redresser l'image (la retourner à l'endroit) et de l'aligner avec le réticule. Au cours de ce processus, le grossissement principal de l'image se produit. Ces deux fonctions sont le résultat de l'action des lentilles.
3. **Contrôles de dérive et d'élévation :** Les lentilles érectrices sont logées dans un tube fixe à une extrémité, tandis que l'autre extrémité du tube est libre de se déplacer et de répondre aux ajustements. En déplaçant le système érecteur, le point de visée de la lunette est ajusté pour correspondre au point d'impact de la balle.
4. **Réticule :** En termes simples, le dispositif de visée autour duquel la lunette est construite. Cet élément remplace le système de visée en fer des fusils sans lunette.
5. **Oculaire ou lentille de l'œil :** Cet élément fournit le grossissement secondaire et final de l'image.

MONTAGE DE VOTRE LUNETTE DE VISÉE

Même avec son design et ses fonctionnalités de haute technologie, votre nouvelle lunette ne fonctionnera au mieux que si elle est correctement montée. L'un des facteurs les plus importants contribuant à la précision de votre lunette et de votre fusil est la sélection de la monture et le soin apporté au montage. Des montures fiables qui fixent solidement votre lunette au fusil vous récompenseront par leur fiabilité et leur précision. Il est conseillé de sélectionner un système de montage avec autant de soin que pour la sélection de votre lunette. N'oubliez pas que toutes les lunettes ne sont pas compatibles avec toutes les montures sur tous les fusils. En cas de doute, il est recommandé de demander conseil à votre revendeur local ou à un armurier.

AVERTISSEMENT : UNE LUNETTE DE VISÉE NE DEVRAIT JAMAIS ÊTRE UTILISÉE COMME UN SUBSTITUT POUR DES JUMELLES OU UNE LONGUE-VUE. VOUS POURRIEZ DIRIGER L'ARME VERS UNE AUTRE PERSONNE PAR INADVERTANCE.

RÉGLAGES PRÉLIMINAIRES DE LA LUNETTE - RÉGLAGE DE LA DIOPTRIE

AVERTISSEMENT : NE REGARDEZ PAS VERS LE SOLEIL PENDANT LE RÉGLAGE DE LA DIOPTRIE !

Avant d'installer la lunette, nous vous recommandons de régler la dioptrie pour l'adapter à votre vue. Refaire la mise au point de la dioptrie améliorera la netteté du réticule et de l'image optique, et aidera à éviter la fatigue oculaire lors de l'utilisation prolongée de la lunette. Pour refaire la mise au point, tenez la lunette à environ 3 - 4 pouces de votre œil et pointez-la vers une zone uniformément éclairée, comme un mur peint de couleur claire.

Jetez rapidement un coup d'œil dans la lunette. Si le réticule paraît flou au premier coup d'œil, il est hors de mise au point. Tournez l'oculaire dans le sens des aiguilles d'une montre ou dans le sens inverse tout en regardant dans la lunette jusqu'à ce que la netteté du réticule soit améliorée. Regardez ailleurs pendant quelques secondes, puis regardez à nouveau dans la lunette pour vérifier la netteté du réticule. N'oubliez pas de jeter des coups d'œil rapides, car l'œil compensera les conditions légèrement floues avec des regards prolongés. Si le réticule n'apparaît pas net tout de suite, continuez à faire de légers ajustements. En regardant dans la lunette, répétez cette procédure jusqu'à ce que le réticule soit net et bien défini.

Vous n'aurez plus à faire cet ajustement à moins que votre vue ne subisse un changement significatif au fil des ans.

ACTIVATION DE LA BATTERIE

Avant d'allumer votre lunette pour la première fois, vous devez activer la batterie au lithium CR2032 installée en retirant le disque plastique de protection et en isolant la batterie.

1. Dévissez le capuchon de la batterie dans le sens contraire des aiguilles d'une montre. Celui-ci est situé à l'extrémité du contrôle d'illumination sur le côté gauche de la lunette. Nous vous suggérons de maintenir l'anneau de contrôle de l'illumination stable tout en dévissant le capuchon de la batterie.
2. Une fois le capuchon retiré, inclinez la lunette pour faire sortir la batterie. Repérez le disque en plastique et retirez-le.
3. Remplacez la batterie et le capuchon de la batterie.
4. Alternativement, la batterie peut être fournie en tant qu'insert séparé dans un emballage à l'épreuve des enfants. Dans ce cas, retirez-la de l'emballage secondaire et installez-la dans le compartiment de la batterie.
5. Si votre réticule devient faible ou ne s'allume pas, remplacez la batterie en suivant la procédure d'installation décrite ci-dessus.



Remarque : retirez le disque en plastique sous la pile bouton avant la première utilisation.

ATTENTION : Une installation incorrecte de la batterie peut endommager les contacts internes. Assurez-vous que le côté positif (+) soit orienté vers le haut et le côté négatif (-) vers le bas.

JOINDRE UNE MONTURE, DES ANNEAUX ET LA LUNETTE À VOTRE FUSIL

AVERTISSEMENT : AVANT DE COMMENCER LA PROCÉDURE DE MONTAGE, ASSUREZ-VOUS QUE L'ACTION EST OUVERTE, QUE LE CHARGEUR OU LE MAGASIN EST RETIRÉ ET QUE LA CHAMBRE EST VIDE. N'ESSAYEZ AUCUNE MANIPULATION AVANT D'AVOIR VÉRIFIÉ QUE VOTRE ARME EST DÉCHARGÉE ET SÛRE.

AVERTISSEMENT : SI LA LUNETTE N'EST PAS MONTÉE ASSEZ EN AVANT, SON MOUVEMENT VERS L'ARRIÈRE PEUT BLESSER LE TIREUR LORS DU REcul DU FUSIL.

- › Lors du montage de votre lunette, nous vous recommandons de ne PAS prendre de raccourcis, car cela pourrait endommager le système de montage ou la lunette. Chaque système de montage a ses propres instructions, et il est préférable de les lire d'abord pour s'assurer de les comprendre et d'avoir les outils nécessaires à portée de main.
- › Nous vous recommandons de passer par la procédure de montage à deux reprises. Une première fois pour vous assurer que tout s'assemble et fonctionne correctement. Lors de ce premier essai, veuillez garder à l'esprit les points suivants :
- › Avant de fixer la base, nettoyez les trous de montage dans le récepteur et les filetages des vis de fixation avec de l'alcool à friction hautement concentré ou un autre bon solvant pour les débarrasser de l'huile ou de la graisse.
- › Si le fabricant de la monture recommande d'utiliser un adhésif pour filetage, ne l'utilisez pas lors du premier essai de montage. Une fois que l'adhésif a pris, il est difficile de le démonter si quelque chose doit être corrigé et il laissera des résidus.
- › Assurez-vous que les vis de montage ne dépassent pas dans le récepteur.
- › N'utilisez pas la lunette comme levier lors de son installation avec des montures à queue d'aronde, à insertion par torsion ou à verrouillage par torsion. La résistance initiale au tournement peut endommager la lunette et n'est pas couverte par la garantie. Nous recommandons d'utiliser une cheville en bois ou un cylindre métallique pour installer les anneaux.
- › Assurez-vous que la position de la lunette n'interfère pas avec le fonctionnement de l'action.
- › Assurez-vous qu'il y a au moins 2 mm de dégagement entre les bords des anneaux et toute surface saillante telle que le boîtier de la tourelle (selle), l'anneau de sélection de puissance et l'évasement de la cloche objective. Assurez également qu'il y a au moins 3 mm de dégagement entre la cloche objective et le canon.
- › Il est conseillé de tester la position de la lunette pour un dégagement oculaire approprié. Les anneaux de la lunette doivent être suffisamment desserrés pour que la lunette puisse glisser facilement. Lors de cette procédure, les lunettes à puissance variable doivent être réglées au grossissement le plus élevé. Montez la lunette sur le fusil et regardez à travers dans votre position de tir normale.
- › Testez la position du fusil pour une soudure de joue appropriée plusieurs fois pour vous assurer que votre lunette est correctement positionnée.
- › Une fois que tout vous paraît en ordre, marquez les positions relatives avec du ruban de masquage ou similaire, démontez et recommencez. Cette fois-ci, serrez fermement toutes les vis.

COMMANDES DE MISE AU POINT LATÉRALE ET D'ÉCLAIRAGE

- › L'anneau de contrôle de la mise au point latérale intérieure doit être réglé sur la distance de la cible pour focaliser l'image de la cible et éliminer l'erreur de parallaxe.
- › Le contrôle de l'éclairage extérieur possède 6 réglages d'intensité et une MINUTERIE D'ARRÊT AUTOMATIQUE pour éteindre l'émetteur après six heures sans manipulation du bouton de contrôle.



TOURELLES D'ÉLÉVATION ET DE DÉRIVE

1. Les lunettes de la série Bushnell R5 comportent des réglages d'élévation et de dérive à clics audibles réglables avec les doigts.
2. Retirez les capuchons des réglages d'élévation et de dérive.
3. Saisissez le bouton de réglage et tournez-le dans la direction appropriée « Up » (en haut) (et « Down », en bas) indiquée par les flèches. Chaque « clic » ou incrément sur l'anneau d'échelle de réglage changera l'impact de la balle de 1/2 Minute d'Angle. 1/2 MOA correspond à environ 1/2 pouce à 100 verges, 1 pouce à 200 verges, etc.



Réglage de l'élévation



Réglage de la dérive

RÉGLAGES DE LA PUISSANCE VARIABLE - GROSSISSEMENT

Pour changer le grossissement, tournez l'anneau de changement de puissance pour aligner le numéro souhaité sur l'échelle de puissance avec le point de repère. Lors de la chasse à l'affût ou de la traque du gibier, une lunette variable doit être réglée sur la puissance la plus basse. Vous avez alors le champ de vision le plus large pour des tirs rapides à courte portée. Les puissances plus élevées doivent être réservées aux tirs précis à longue portée.

RÉGLAGE PRÉLIMINAIRE

Pré-régler la lunette du fusil avant de l'emmener sur le champ de tir pour la mise à zéro peut vous faire économiser des dépenses et des frustrations importantes.

Deux méthodes de base peuvent être utilisées pour pré-régler votre lunette. La première méthode consiste à utiliser un collimateur Bushnell® Bore Sighter (laser, magnétique ou standard). L'utilisation d'un collimateur Bore Sighter permet d'économiser du temps et des munitions et c'est la méthode la plus souvent utilisée par les armuriers. La deuxième méthode est le réglage traditionnel de la visée :

MÉTHODE DE SIMBLEAUTAGE

1. Si vous utilisez une carabine à percussion annulaire, placez une cible à une distance de 25 à 50 mètres. Si vous utilisez une carabine à percussion centrale, placez la cible à une distance de 50 à 100 mètres.
2. Retirez le verrou du fusil.
3. Placez le fusil sur des sacs de sable ou un support de tir.
4. Réglez la lunette sur son grossissement le plus bas.
5. Regardez à travers le canon depuis le récepteur et ajustez la position du fusil pour centrer le point central de la cible dans le canon (Fig. A).
6. Sans bouger le fusil, regardez dans la lunette et notez la position du réticule sur la cible. Retirez les capuchons des réglages de dérive et d'élévation et ajustez-les pour centrer le réticule sur le point central (Fig. B).

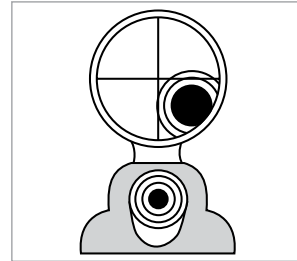


Fig. A
Réticule non aligné

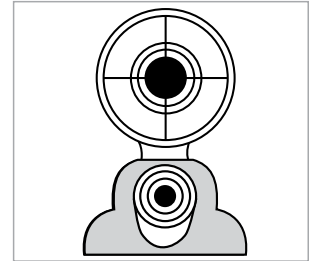


Fig. B
Réticule en alignement

RÉGLAGE FINAL DE LA VISÉE

AVERTISSEMENT : CETTE PROCÉDURE IMPLIQUE L'USAGE DE MUNITIONS RÉELLES, ELLE DOIT DONC ÊTRE EFFECTUÉE DANS UN CHAMP DE TIR APPROUVÉ OU UNE AUTRE ZONE SÉCURISÉE. VÉRIFIEZ QUE LE CANON N'A PAS D'OBSTRUCTION. UN CANON OBSTRUÉ PEUT CAUSER DES BLESSURES À VOUS ET AUX PERSONNES À PROXIMITÉ. IL EST RECOMMANDÉ DE PORTER DES PROTECTIONS DES YEUX ET AUDITIVES.

Tirez deux ou trois coups sur une cible à 25-50 verges depuis une position de repos stable. Notez l'impact des balles sur la cible et ajustez les cadrans de dérive et d'élévation si nécessaire.

Afin de déplacer l'impact de la balle, tournez les réglages de dérive et d'élévation dans la direction indiquée sur les cadrans correspondant à l'endroit où le point d'impact tombe sur la cible (par exemple, si les tirs de test sont trop bas, ajustez l'élévation « vers le bas »). Les réglages sur votre modèle de lunette de visée sont marqués en MOA (minutes d'angle), et le point d'impact à 100 verges changera de 1/4 MOA ou environ 1/4 po pour chaque clic du réglage de dérive ou d'élévation. Un tour complet du réglage = 15 MOA.

Lorsque l'impact à la distance initiale de la cible est satisfaisant, passez à une cible placée à la distance souhaitée pour le réglage final (50 verges recommandé). Sur les modèles à puissance variable, réglez le grossissement à la puissance souhaitée.

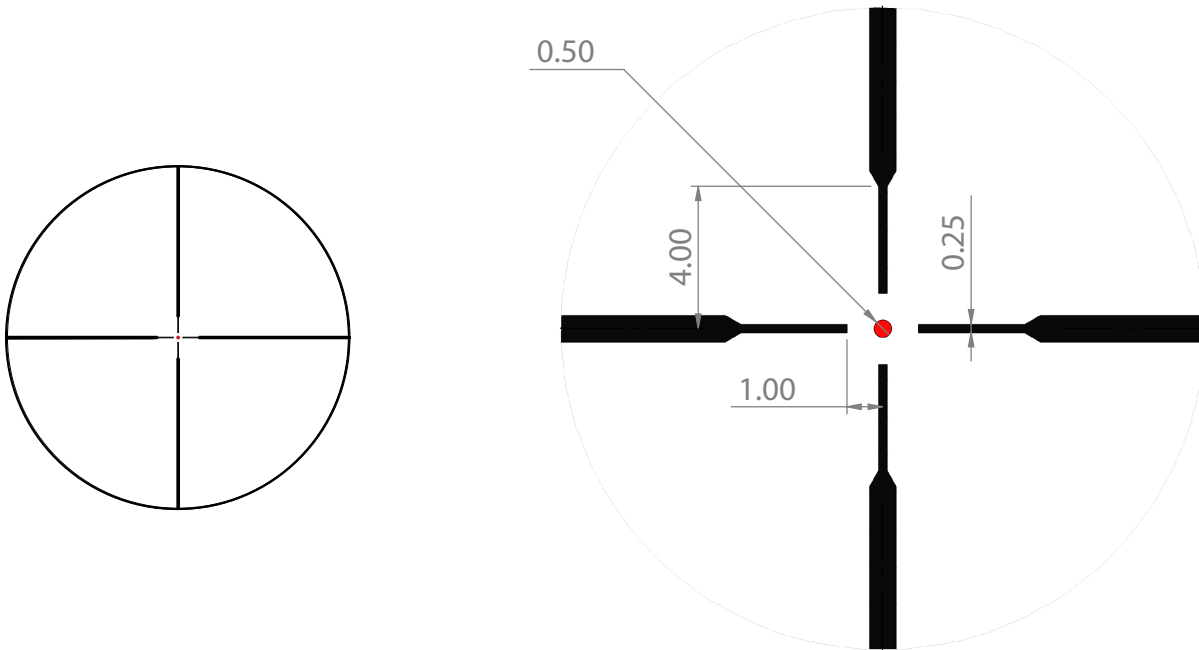
RÉINITIALISATION DES MOLETTES DE TOURELLES

1. Tout en maintenant fermement le bouton de la tourelle avec votre main libre (pour éviter tout dérèglement), utilisez une pièce de monnaie, une clé ou un tournevis à tête plate pour retirer la vis d'assemblage de la tourelle située sur le dessus de la molette.
2. Retirez la molette et replacez-la sur la tourelle intérieure, en prenant soin d'aligner le repère « zéro » de la molette sur la ligne de référence verticale du corps de la tourelle intérieure.
3. Replacez la vis sur le dessus de la molette de la tourelle et serrez-la, en veillant à maintenir la molette avec votre main libre pour éviter qu'elle ne tourne pendant le serrage.
4. Répétez l'opération pour l'autre molette de la tourelle.



RÉTICULE ILLUMINÉ MULTI-X

Dimensions en MOA



STOCKAGE

Évitez de stocker la lunette dans des endroits chauds, comme le compartiment passager d'un véhicule par une journée chaude. La haute température pourrait affecter négativement les lubrifiants et les scellants. Le coffre d'un véhicule, une armoire à fusils ou un placard est préférable. Ne laissez jamais la lunette là où la lumière directe du soleil peut entrer dans l'objectif ou l'oculaire. Des dommages peuvent résulter de la concentration des rayons du soleil (effet de verre brûlant).

ENTRETIEN DE VOTRE LUNETTE DE VISÉE

Votre lunette nécessite très peu d'entretien. Les surfaces métalliques extérieures doivent être maintenues propres. Un léger dépoussiérage avec un chiffon doux légèrement humide est généralement suffisant.

Votre nouvelle lunette est dotée de tourelles de dérive et d'élévation complètement étanches contre l'intrusion d'eau. Cependant, nous recommandons de garder les capuchons de dérive et d'élévation sur les tourelles, sauf lors des réglages, pour empêcher la poussière et la saleté de s'accumuler dans la zone de la tourelle.

Nous recommandons également de garder un capuchon de lentille ou un couvre-lunette en place lorsque la lunette n'est pas utilisée. Les lentilles doivent être inspectées régulièrement et toujours maintenues propres. La poussière, la saleté et les empreintes digitales qui se collectent sur les surfaces des lentilles dégradent gravement la qualité de l'image et, si elles ne sont pas nettoyées pendant de longues périodes, le revêtement antireflet pourrait être endommagé. Bien que le nettoyage des lentilles ne soit pas difficile, il nécessite soin et patience.

- › En cas de salissure importante, comme de la boue séchée, de l'eau propre à basse pression doit être utilisée pour éliminer les débris.
- › Commencez avec un pinceau à lentilles, un petit pinceau d'artiste à poils doux non utilisés ou un pinceau de maquillage. Éliminez doucement les particules de saleté détachées.
- › Ensuite, utilisez une poire auriculaire ou un aspirateur à bulbe (disponible dans la plupart des pharmacies) pour souffler la saleté ou la poussière restantes des surfaces des lentilles.
- › Si un nettoyage supplémentaire est nécessaire, utilisez un chiffon doux, sec et non pelucheux. Essayez très doucement la lentille, en commençant par le centre avec un mouvement circulaire et en travaillant vers l'extérieur jusqu'au bord.
- › Si cela ne corrige pas le problème, répétez le processus avec la condensation de votre souffle.



AVERTISSEMENT : UN FROTTEMENT INUTILE OU L'UTILISATION D'UN CHIFFON RUGUEUX PEUT CAUSER DES DOMMAGES PERMANENTS AUX REVÊTEMENTS DES LENTILLES.

ENTRETIEN

Bien que très robuste, votre lunette de visée est un instrument de précision qui mérite des soins raisonnablement prudents.

Tout d'abord, soufflez toute saleté et poussière sèches lors du nettoyage des lentilles, ou utilisez un pinceau à lentilles doux. Les empreintes digitales et les lubrifiants peuvent être essuyés avec un papier à lentilles ou un chiffon doux humidifié avec du liquide de nettoyage pour lentilles.

Toutes les pièces mobiles de la lunette sont lubrifiées de façon permanente. N'essayez pas de les lubrifier.

Peu ou pas d'entretien est nécessaire pour la surface extérieure de la lunette. Des vis en oxyde noir sont parfois utilisées pour sceller les orifices de purge et pour la connexion de l'anneau de changement de puissance à l'érecteur. Si la lunette est exposée à l'eau, envisagez d'appliquer un mince film d'huile typique pour armes à feu sur ces vis lors de l'entretien de routine de l'arme pour éviter la corrosion. Utilisez des couvercles de lentille, si disponibles, et chaque fois que possible.

ALTITUDE ET TEMPÉRATURE

Les tableaux balistiques publiés par les fabricants de munitions sont basés sur des conditions standard au niveau de la mer. Lors du réglage de la visée, il convient de se rappeler que l'altitude et la température affectent la trajectoire. Il est préférable de viser dans les mêmes conditions que celles dans lesquelles vous chasserez.

SPÉCIFICATIONS TECHNIQUES

SKU	Grossissement x Diamètre de l'objectif	Réticule	Tourelles	Élévation totale	Dérive totale	Déplacement par révolution	Diamètre du tube principal (en pouces)	Dégagement oculaire moyen (en pouces/mm)	Champ de vision (pieds à 100 verges/m à 100 mètres)	Longueur (en pouces/mm)	Poids (onces/g)
R5-3940S9	3-9x40	Illuminated Multi-X	Capped	80 MOA	80 MOA	15 MOA	1	3.9/100	35ft - 12ft/11.7m - 4m	11.5/292	19.5/553
R5-3950S9	3-9x50	Illuminated Multi-X	Capped	80 MOA	80 MOA	15 MOA	1	3.9/100	35ft - 12ft/11.7m - 4m	12.3/313	21.7/614

La garantie ne couvre pas le vol, la perte, les dommages délibérés ou les dommages esthétiques n'affectant pas les performances du produit.

Valable aux États-Unis et au Canada Uniquement.

©2024 Bushnell Outdoor Products
Bushnell,™, ®, denote trademarks of Bushnell Outdoor Products
www.bushnell.com
22101 W. 167th St., Olathe, KS 66062

*El modelo 4-12x40 se muestra a continuación



Accesorios incluidos:

- > Cubiertas para los lentes
- > Tela limpiadora

¡TOMÓ LA DECISIÓN CORRECTA AL ELEGIR LA MIRA PARA RIFLE BUSHNELL R5!

Bushnell® está constantemente al frente de la calidad y el valor, y la mira para rifle Serie R5 no es la excepción. La mira para rifle Bushnell R5 está construida con tecnología de la máxima calidad: los lentes con múltiples recubrimientos y la construcción IPX7 con purga de nitrógeno ofrecen imágenes claras y brillantes en cualquier entorno.

Todas las superficies exteriores de los lentes tienen nuestro recubrimiento EXO Barrier™ [además de múltiples recubrimientos]. Dicho de manera sencilla, la EXO Barrier es la mejor tecnología de recubrimiento protector de lentes desarrollada por Bushnell. La EXO Barrier se agrega al final del proceso de recubrimiento. Se une molecularmente al lente y rellena los poros microscópicos que hay en el vidrio. El resultado es un recubrimiento ultradelgado que repele agua, aceite, neblina, polvo, residuos, lluvia, nieve, huellas digitales y la tierra no quedará adherida.

Escanee el código para descargar la aplicación gratuita Bushnell Ballistics. La aplicación Bushnell Ballistics es un calculadora de balística multifuncional que calcula soluciones de disparo con sus localizadores y miras para rifles. Le permite usar las condiciones atmosféricas actuales para calcular el tiempo de espera y muestra las distancias en cada subtensión de la retícula y muchas funciones más para mejorar su experiencia de tiro.



ADVERTENCIA: NUNCA MIRE AL SOL A TRAVÉS DE LA MIRA PARA RIFLE (O CUALQUIER OTRO INSTRUMENTO ÓPTICO. PUEDE DAÑAR PERMANENTEMENTE SUS OJOS.

ELEMENTOS PRINCIPALES DE UNA MIRA PARA TELESCOPIO

1. Lente objetivo: Este lente tiene tres funciones. Primero, permite que la luz pase hacia la mira. Segundo, determina la resolución. Normalmente, lentes más grandes permiten que más luz ingrese en la mira y resuelve mejor los detalles que otros más pequeños. Finalmente, forma una imagen para que los otros lentes la amplifiquen a un tamaño útil. La imagen formada por este lente está cabeza abajo.
2. Sistema de corrección de imagen: El sistema erector tiene varias funciones. Su función principal es enderezar la imagen (voltearla cabeza arriba) y alinearla con la retícula. Durante este proceso se lleva a cabo la amplificación primaria de la imagen. Estas dos funciones son el resultado de la acción del lente.
3. Controles de elevación y resistencia al viento: Los lentes de corrección de imagen están alojados en un tubo fijo en uno de los extremos, mientras que el otro extremo del tubo está libre para moverse y responder a los ajustes. Al mover el sistema corrector de imagen, el punto de enfoque de la mira se ajusta para coincidir con el punto de impacto de la bala.
4. Retícula: De manera sencilla, es el dispositivo para apuntar alrededor del cual se construye la mira. Este elemento reemplaza la mira de hierro en rifles sin mira.
5. Ocular o lente ocular: Este elemento brinda la amplificación secundaria y final de la imagen.

MONTAJE DE SU MIRA PARA RIFLE

Incluso con su diseño tecnológicamente avanzado y sus funciones, su nueva mira solo se desempeñará de la mejor manera si está montada adecuadamente. Uno de los factores más importantes que contribuyen a la precisión de su mira y del rifle es la selección de la montura y el cuidado con el que se realiza el montaje. Las monturas confiables que ajustan su mira de manera segura al rifle lo recompensarán con confiabilidad y precisión. Ayudaría que sea tan cuidadoso para seleccionar un sistema de montaje como lo hizo al seleccionar su mira.

Recuerde, no todas las miras son compatibles con todas las miras para todos los rifles. Si tiene alguna duda, deberá buscar el consejo de su vendedor o armero local.

ADVERTENCIA: NUNCA SE DEBE USAR UNA MIRA PARA RIFLE COMO UN SUSTITUTO DE BINOCULARES O LOCALIZADOR. PODRÍA PROVOCAR QUE INADVERTIDAMENTE APUNTE EL ARMA HACIA OTRA PERSONA.

AJUSTE PRELIMINAR DE LA MIRA - AJUSTE DE LAS DIOPTRÍAS

ADVERTENCIA: ¡NO MIRE AL SOL MIENTRAS AJUSTA LAS DIOPTRÍAS!

Antes de instalar la mira, recomendamos ajustar el ajuste de dioptrías para que se adapte a su vista. Reenfocar las dioptrías resultará en un mejor enfoque de la retícula y una imagen óptica mejorada, y ayudará a evitar la fatiga ocular cuando use la mira durante largos periodos. Para reenfocar, sostenga la mira a unas 3 o 4 pulgadas (7.62 o 10.16 cm) de su ojo y apunta a un área con iluminación pareja como una pared pintada con un color claro.

Mire rápidamente a través de la mira. Si la retícula aparece borrosa a primera vista, está fuera de foco. Gire el ocular en el sentido de las manecillas del reloj o en el sentido contrario mientras mira a través de la mira hasta que se mejore la nitidez de la retícula. Aleje la vista de la mira durante un par de segundos y luego vuelva a mirar a través de ella para verificar la nitidez de la retícula. Recuerde mirar por turnos, ya que el ojo compensará condiciones ligeramente fuera de foco si mira durante periodos largos. Si la retícula no se ve enfocada inmediatamente, siga haciendo ajustes finos. Cuando mire a través de la mira, repita este procedimiento hasta que la retícula esté nítida y definida claramente.

No tendrá que hacer este ajuste otra vez a menos que su vista tenga cambios significativos con los años.

ACTIVACIÓN DE LA BATERÍA

Antes de encender su mira por primera vez, deberá activar la batería de litio CR2032 instalada retirando el disco de plástico protector que aísla la batería.

1. Desatornille la tapa de la batería en el sentido contrario a las manecillas del reloj, se ubica en el extremo del control de iluminación del lado izquierdo de la mira. Le sugerimos sostener firmemente el anillo de control de iluminación cuando desatornille la tapa de la batería.
2. Vuelva a colocar la batería y la tapa de la batería.
3. Alternativamente, es posible que la batería se encuentre en un empaque separado dentro de un empaque a prueba de niños. Si es así, retírela del empaque secundario e instálela en el compartimiento de la batería.

Si la retícula pierde brillo o no enciende, reemplace la batería siguiendo el procedimiento de instalación descrito anteriormente.

PRECAUCIÓN: La instalación inadecuada de la batería puede dañar los contactos internos. Asegúrese de que el lado positivo (+) quede hacia arriba, y el lado negativo (-) hacia abajo.



Nota: Retire el disco de plástico debajo de la batería del botón antes del primer uso.

ENSAMBLE DE LA MONTURA, ANILLOS Y LA MIRA EN SU RIFLE



ADVERTENCIA: ANTES DE EMPEZAR EL PROCEDIMIENTO DE MONTAJE, ASEGÚRESE DE QUE LA ACCIÓN ESTÁ ABIERTA, QUE EL CLIP O CARGADOR ESTÉ RETIRADO Y QUE LA CÁMARA ESTÉ VACÍA. NO INTENTE NINGÚN TRABAJO HASTA QUE SU ARMA ESTÉ DESPEJADA Y DETERMINE QUE ES SEGURA.



ADVERTENCIA: SI LA MIRA NO ESTÁ MONTADA LO SUFICIENTEMENTE ADELANTE, EL MOVIMIENTO HACIA ATRÁS PUEDE LESIONAR AL TIRADOR CON EL CULATAZO DEL RIFLE.

Al montar su mira, le recomendamos NO tomar atajos, ya que esto puede dañar el sistema de montura o la mira. Cada sistema de montaje tiene sus propias instrucciones, y es mejor leerlas primero para asegurarse de comprenderlas y de tener a mano las herramientas necesarias.

Le recomendamos que repase dos veces el procedimiento de montaje. La primera vez para asegurarse de que todo ensambla bien y funciona adecuadamente. Durante el primer repaso, por favor, considere lo siguiente:

- › Antes de ensamblar la base, limpie los agujeros de montaje en el receptor y las roscas de los tornillos de ensamble con alcohol de alta concentración o cualquier buen solvente para limpiar cualquier resto de aceite o grasa.
- › Si el fabricante de la montura recomienda usar adhesivo para roscas, no lo use en el primer intento de montaje. Una vez que el adhesivo haya hecho efecto, será difícil desmontar la mira si tiene que corregir algo y dejará residuos.
- › Asegúrese de que los tornillos de montaje no sobresalgan del receptor.
- › No use la mira como palanca cuando la instale usando monturas de cola de paloma, de rotación, o de rotación y anillo de bloqueo. La resistencia inicial del giro puede dañar la mira y no está cubierto por la garantía. Recomendamos usar una clavija de madera o un cilindro de metal para ensamblar los anillos.
- › Asegúrese de que la posición de la mira no interfiere con la operación de la acción.
- › Asegúrese de que haya al menos 2 mm libres entre los bordes de los anillos y cualquier superficie sobresaliente como la carcasa de la torreta (silla), el anillo de selección de potencia y el borde de la campana del objetivo. Además, asegúrese de que haya al menos 3 mm libres entre la campana del objetivo y el barril.
- › Debe probar la posición de la mira para tener la distancia ocular adecuada. Los anillos de la mira deben quedar lo suficientemente sueltos para que la mira se pueda deslizar fácilmente. Al realizar este procedimiento, las miras con potencia variable deben estar ajustadas a la mayor amplificación. Monte la mira en el rifle y mire a través de la mira en su posición normal de disparo.
- › Pruebe varias veces la posición del rifle contra la mejilla para asegurarse de que su mira está bien posicionada.
- › Cuando esté satisfecho de que todo está bien, marque las posiciones relativas con cinta de enmascarar o algo similar, desmonte la mira y vuelva a comenzar. Esta ocasión apriete con firmeza todos los tornillos.

ENFOQUE LATERAL Y CONTROLES DE ILUMINACIÓN

- › El control de enfoque del lado interno debe estar ajustado a la distancia del objetivo para enfocar la imagen del objetivo y eliminar el error de paralaje.
- › El control de iluminación externo tiene 6 configuraciones de intensidad con posiciones de apagado alternas. Si desea iluminar la retícula, cambie a un punto de ajuste apropiado. El brillo aumentará con números más altos. Gire el dial a cualquier posición 0 cuando no desee iluminación o no utilice el visor para preservar la vida útil de la batería.



TORRETAS DE ELEVACIÓN Y RESISTENCIA AL VIENTO

Las miras Bushnell Serie R5 tienen ajustes de elevación y resistencia al viento ajustables con el dedo y con un clic audible.

1. Retire las tapas de los ajustes de elevación y resistencia al viento.
2. Tome la perilla de ajuste y gírela en la dirección adecuada "Arriba" (y "Abajo") indicada por las flechas. Cada "clic" o incremento en el anillo de la escala de ajuste cambiará el impacto de la bala en 1/2 minuto de ángulo. 1/2 MOA corresponde aproximadamente a 1/2 pulgada (1.27 cm) a 100 yardas (91.44 m), 1 pulgada (2.54 cm) a 200 yardas (182.88 m), etc.



Ajuste de elevación



Ajuste de resistencia al viento

AJUSTES DE POTENCIA VARIABLE - AMPLIFICACIÓN

Para cambiar la amplificación, gire el anillo de cambio de potencia para alinear el número deseado en la escala de potencia con el punto índice. Cuando haga cacería en espera o asechando, una mira variable debe estar ajustada a la potencia mínima. Así tendrá el campo de visión más amplio para hacer disparos rápidos a corta distancia. Las potencias más altas deben reservarse para disparos precisos a larga distancia.

AVISTAMIENTO PRELIMINAR

Hacer un avistamiento preliminar con la mira del rifle antes de llevarlo al campo de tiro para ajustarlo a cero puede ahorrar gastos significativos y frustración.

Se pueden usar dos métodos básicos para hacer avistamientos preliminares con su mira. El método uno es usar un Localizador Bushnell® Bore (láser, magnético o estándar). El uso de un localizador Bore ahorra tiempo y munición, y es el más frecuentemente utilizado por los armeros. El segundo método es el avistamiento por agujero tradicional:

MÉTODO DE AVISTAMIENTO POR AGUJERO

1. Si se utiliza un rifle de percusión anular, coloque el objetivo entre 25 y 50 yardas. Si se trata de un rifle de percusión central, coloque el objetivo entre 50 y 100 yardas.
2. Retire el cerrojo del fusible.
3. Coloque el rifle sobre una bolsa de arena o un apoyo para rifle.
4. Ajuste la mira a su amplificación más baja.
5. Mire a través del agujero desde el receptor y ajuste la posición del rifle para centrar el centro del objetivo en el agujero (Fig. A).
6. Sin mover el rifle, mire a través de la mira y tome nota de la posición de la retícula sobre el objetivo. Retire las tapas de los ajustes de resistencia al viento y elevación y ajústelos para centrar la retícula en el centro del objetivo (Fig. B).

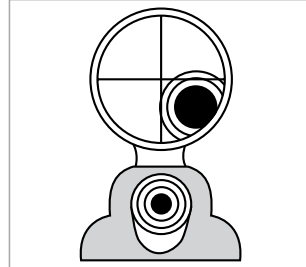


Fig. A
Retícula no alineada

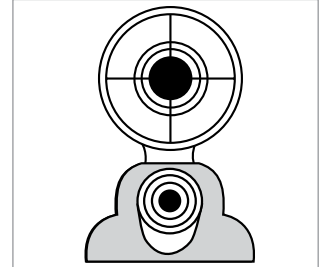


Fig. B
Retícula alineada

AVISTAMIENTO FINAL



ADVERTENCIA: DEBIDO A QUE ESTE PROCEDIMIENTO INVOLUCRA DISPAROS VIVOS, DEBE REALIZARSE EN UN CAMPO DE TIRO APROBADO U OTRA ÁREA SEGURA. REVISE QUE EL AGUJERO NO TENGA OBSTRUCCIONES. UN AGUJERO OBSTRUIDO PUEDE PROVOCAR LESIONES A USTED Y A OTROS QUE ESTÉN CERCA. SE RECOMIENDA USAR PROTECCIÓN PARA LOS OJOS Y LOS OÍDOS.

1. Dispare dos o tres rondas hacia un objetivo a 25 - 50 yardas (22.86 - 45.72 m) desde una posición estable de descanso. Tome nota del impacto de la bala sobre el objetivo y ajuste las perillas de resistencia al viento y elevación según sea necesario.
2. Para mover el punto de impacto de la bala, gire los ajustes de resistencia al viento y elevación en la dirección sobre las perillas que corresponda al lugar donde el impacto de la bala cayó sobre el objetivo (por ejemplo, si los tiros de prueba están dando abajo, ajuste la elevación hacia "abajo"). Los ajustes en el modelo de su mira para rifle están marcados en MOA (minutos de arco), y el punto de impacto a 100 yardas (91.44 m) cambiará en 1/4 de MOA, o aproximadamente 1/4 de pulgada, por cada clic en el ajuste de resistencia al viento o elevación. Una revolución completa del ajuste = 15 MOA.
3. Cuando el impacto a la distancia inicial del objetivo sea satisfactorio, cambie a un objetivo fijado a la distancia deseada para un ajuste a cero final (se recomienda usar 50 yardas [45.72 m]). En los modelos de potencia variable, ajuste la amplificación a la potencia deseada.

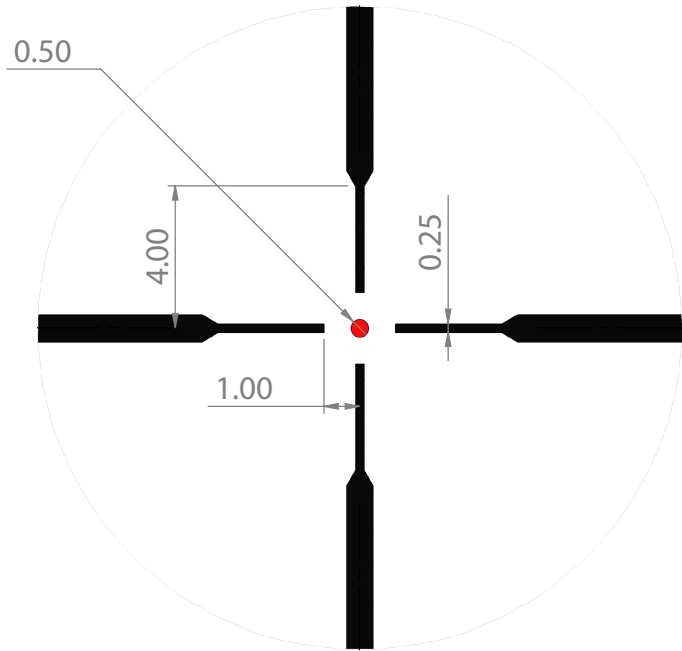
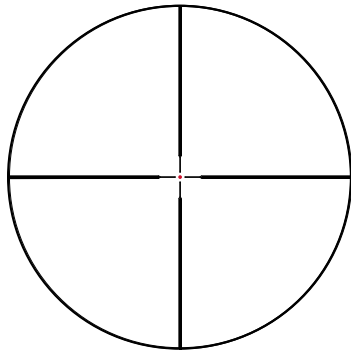
REAJUSTE DE LOS POMOS DE LA TORRETA

1. Mientras sujeta firmemente el pomo de la torreta con la mano libre (para evitar un ajuste accidental), utilice una moneda, una llave o un destornillador de cabeza plana para quitar el tornillo de la torreta que se encuentra en la parte superior del pomo de la torreta.
2. Retire el pomo de la torreta y devuélvala a la torreta interior con la marca «cero» en la perilla alineada con la línea de índice vertical del cuerpo interior de la torreta.
3. Vuelva a colocar el tornillo del pomo de la torreta en la parte superior del pomo y apriételo hacia abajo, asegurándose de mantener firme el pomo de la torreta con la mano libre para que el pomo de la torreta no gire mientras aprieta el tornillo.
4. Repita el proceso con el otro pomo de la torreta.



RETÍCULA ILUMINADA MULTI-X

Dimensiones en MOA



ALMACENAMIENTO

Evite almacenar la mira en lugares calientes, como el compartimiento para pasajeros del vehículo en un día caluroso. La temperatura alta puede afectar adversamente los lubricantes y sellos. Es preferible la cajuela del vehículo, un gabinete para armas o un armario. Nunca deje la mira donde la luz directa del sol pueda entrar por el lente objetivo. La concentración de los rayos del sol puede provocar daños (efecto de quemado del vidrio).

CUIDADO DE SU MIRA PARA RIFLE

Su mira requiere poco mantenimiento. Las superficies metálicas exteriores deben permanecer limpias. Una limpieza ligera con una tela suave ligeramente húmeda normalmente es suficiente.

También recomendamos mantener puesta la tapa del lente o la cubierta de la mira cuando no la está usando. Debe inspeccionar los lentes regularmente y mantenerlos siempre limpios. El polvo, la tierra y las huellas dactilares que se juntan en las superficies de los lentes pueden degradar gravemente la calidad de la imagen y, si se dejan sin limpiar durante largos periodos, se puede dañar el recubrimiento antirreflejante. Aunque la limpieza de los lentes no es difícil, requiere cuidado y paciencia.

- › Si tiene mucha suciedad, como lodo seco, deberá limpiar con agua a baja presión para eliminar los residuos.
- › Empiece con una brocha para lentes o una brocha suave para manualidades o una brocha para la aplicación de maquillaje. Retire las partículas sueltas con brochazos suaves.
- › A continuación, use una jeringa o una pera de aspiración (disponibles en la mayoría de las farmacias) para soplar la suciedad restante o el polvo de la superficie de los lentes.
- › Si requiere más limpieza, use una tela suave sin pelusa y seca. Limpie el lente muy suavemente, empezando por el centro y usando un movimiento circular hacia el borde.
- › Si esto no corrige el problema, repita el proceso usando la condensación de su aliento.

 **ADVERTENCIA: FROTAR LOS LENTES INNECESARIAMENTE O EL USO DE UNA TELA GRUESA PUEDE PROVOCAR DAÑOS PERMANENTES A LOS RECUBRIMIENTOS DE LOS LENTES.**

MANTENIMIENTO

Aunque su mira para rifle es bastante resistente, es un instrumento de precisión que requiere una atención razonable.

- › Primero, sople cualquier suciedad seca y polvo cuando limpie los lentes, o use una brocha suave para lentes. Puede limpiar las huellas dactilares y los lubricantes con tela para lentes o una tela suave humedecida con líquido para limpiar lentes.
- › Todas las partes móviles de la mira están lubricadas de manera permanente. No debe tratar de lubricarlas.
- › La superficie exterior de la mira no requiere mantenimiento. Normalmente se usan tornillos de óxido negro para sellar los puertos de purga y para la conexión entre el anillo de cambio de potencia y el erector. Si la mira fue expuesta al agua, considere aplicar una capa delgada de aceite típico para armas sobre estos tornillos durante el mantenimiento de rutina del arma para mitigar la corrosión.
- › Use las cubiertas de los lentes, si están disponibles, y siempre que sea conveniente.

ALTITUD Y TEMPERATURA

Las tablas de balística publicadas por los fabricantes de munición se basan en condiciones estándares a nivel del mar. Cuando esté avistando, es bueno recordar que la altitud y la temperatura afectan la trayectoria. Lo mejor es consultarlas bajo las mismas condiciones en la que estará cazando.

ESPECIFICACIONES TÉCNICAS

SKU	Amp x Diám. Obj.	Reticula	Torretas	Elevación total	Resistencia al viento total	Viaje por revolución	Diámetro del tubo principal (pulg)	Distancia promedio entre los ojos (pulg/mm)	Campo de visión ft@100 yds m@100 m	Longitud (pulg/mm)	Peso (oz/g)
R5-3940S9	3-9x40	Illuminated Multi-X	Capped	80 MOA	80 MOA	15 MOA	1	3.9/100	35ft - 12ft/11.7m - 4m	11.5/292	19.5/553
R5-3950S9	3-9x50	Illuminated Multi-X	Capped	80 MOA	80 MOA	15 MOA	1	3.9/100	35ft - 12ft/11.7m - 4m	12.3/313	21.7/614

La garantía no cubre robo, pérdida, daño deliberado ni daño estético que no afecte el rendimiento del producto.

Válido sólo en los Estados Unidos y Canada.

©2024 Bushnell Outdoor Products
 Bushnell,™, ®, denote trademarks of Bushnell Outdoor Products
www.bushnell.com
 22101 W. 167th St., Olathe, KS 66062

*Modell 4-12x40 unten abgebildet



Enthaltenes Zubehör:

- > Objektivabdeckungen
- > Reinigungstuch

MIT DEM ZIELFERNROHR BUSHNELL R5 HABEN SIE DIE RICHTIGE WAHL GETROFFEN!

Was die Qualität und das Preis-Leistungs-Verhältnis angeht, zählt Bushnell® kontinuierlich zu den Spitzenreitern, und die Zielfernrohre der R5-Serie stellen hier keine Ausnahme dar. Bushnells R5-Zielfernrohre sind mit hochwertiger Technologie ausgestattet: Vollständig mehrfachvergütete Linsen und das mit trockenem Stickstoff gespülte IPX7-Design sorgen für gestochen scharfe und helle Bilder in jeder Umgebung.

Alle äußeren Linsenoberflächen sind mit unserer EXO-Barrier™-Beschichtung versehen (und zudem mehrfachvergütet). EXO Barrier ist schlichtweg die beste Technologie zur Beschichtung von Linsen, die Bushnell jemals entwickelt hat. Die EXO Barrier wird am Ende des Beschichtungsverfahrens aufgetragen. Sie verbindet sich auf molekularer Ebene mit der Linse und füllt so die mikroskopisch kleinen Poren im Glas auf. Das Ergebnis ist eine extrem glatte, wasser-, öl-, nebel-, staub- und schmutzabweisende Beschichtung—Regen, Schnee, Fingerabdrücke und Schmutz bleiben nicht haften.

Scannen Sie den Code, um die kostenlose Bushnell Ballistics App herunterzuladen. Die Bushnell Ballistics App ist ein umfangreiches Ballistikprogramm zur Berechnung von Schussbahnen für Ihre Entfernungsmesser und Zielfernrohre von Bushnell. Sie ermöglicht es Ihnen, die Haltepunkte anhand der derzeitigen atmosphärischen Bedingungen berechnen und sich die Entfernungen für alle Unterteilungen Ihres Fadenkreuzes anzeigen lassen. Außerdem erhalten Sie Zugriff auf viele weitere Funktionen, die Ihr Schießerlebnis verbessern.



! WARNUNG: SCHAUEN SIE MIT DEM ZIELFERNROHR ODER ANDEREN OPTISCHEN INSTRUMENTEN NIEMALS DIREKT IN DIE SONNE, DA DIES ZU DAUERHAFTEN AUGENSCHÄDEN FÜHREN KANN.

DIE WICHTIGSTEN BAUTEILE EINES ZIELFERNROHRS

1. **Objektivlinse:** Diese Linse hat drei Funktionen. Erstens lässt sie Licht in das Zielfernrohr eindringen. Zweitens bestimmt sie die Auflösung. Im Allgemeinen lassen größere Linsen mehr Licht in das Zielfernrohr eindringen und lösen Details besser auf, als kleinere Linsen. Drittens erzeugt sie ein Bild, das von anderen Linsen auf ein geeignetes Ausmaß vergrößert werden kann. Das von dieser Linse erzeugte Bild steht auf dem Kopf.
2. **Umkehrsystem:** Dieses System erfüllt mehrere Funktionen. Die Hauptfunktion besteht darin, das Bild mit der richtigen Seite nach oben und am Fadenkreuz auszurichten. Während dieses Vorgangs findet auch ein Großteil der Bildvergrößerung statt. Diese beiden Funktionen sind das Ergebnis der Linsenwirkung.
3. **Höhen- und Seitenverstellungen:** Die Umkehrlinsen sind in einem Rohr untergebracht, das an einem Ende befestigt ist, während sich das andere Ende des Rohrs frei bewegen und so verstellt werden kann. Durch Bewegen des Umkehrsystems werden der Haltepunkt des Zielfernrohrs und der Aufschlagpunkt der Kugel aufeinander abgestimmt.
4. **Absehen:** Einfach ausgedrückt handelt es sich hierbei um die Zielvorrichtung, auf deren Basis das Zielfernrohr aufgebaut ist. Dieses Element ersetzt die offene Visierung von Gewehren ohne Zielfernrohr.
5. **Okular oder Augenlinse:** Dieses Element sorgt für die zweite und letzte Vergrößerung des Bildes.

MONTAGE IHRES ZIELFERNROHRS

Trotz der technologisch fortschrittlichen Bauweise und Funktionen werden Sie mit Ihrem neuen Zielfernrohr nur dann optimale Ergebnisse erzielen, wenn es richtig montiert wurde. Einer der wichtigsten Faktoren für die Genauigkeit Ihrer Kombination aus Gewehr und Zielfernrohr besteht in der Wahl der richtigen Montagevorrichtung und der Sorgfalt, mit der die Montage durchgeführt wird. Zuverlässige Montagevorrichtungen, mit denen Sie Ihr Zielfernrohr sicher am Gewehr befestigen können, sorgen für Stabilität und Präzision. Bei der Wahl des Montagesystems ist es daher hilfreich, mit der gleichen Sorgfalt vorzugehen, wie bei der Wahl Ihres Zielfernrohrs.

Denken Sie daran, dass nicht alle Zielfernrohre mit allen Montagesystemen auf allen Gewehren kompatibel sind. Wenden Sie sich im Zweifelsfall an Ihren örtlichen Händler oder Büchsenmacher.

! WARNUNG: EIN ZIELFERNROHR SOLLTE NIEMALS ALS ERSATZ FÜR EIN FERNGLAS ODER SPEKTIV DIENEN, DA DIES ZUR FOLGE HABEN KÖNNTE, DASS SIE IHRE WAFFE VERSEHENTLICH AUF EINE ANDERE PERSON RICHTEN.

VORLÄUFIGE ANPASSUNGEN DES ZIELFERNROHRS - DIOPTRIENEINSTELLUNG

! WARNUNG: NICHT IN DIE SONNE SCHAUEN, WÄHREND SIE DIE DIOPTRIEN EINSTELLEN.

Wir empfehlen, den Dioptrienausgleich vor der Montage des Zielfernrohrs auf Ihr persönliches Sehvermögen abzustimmen. Wenn Sie die Dioptrien neu einstellen, erhalten Sie ein schärferes Absehen und ein besseres optisches Bild, und verhindern, dass Ihre Augen ermüden, wenn Sie das Zielfernrohr über längere Zeit benutzen. Um den Fokus neu einzustellen, halten Sie das Zielfernrohr etwa 8 bis 10 cm von Ihren Augen entfernt und richten es auf eine gleichmäßig beleuchtete Fläche, etwa eine einfarbig gestrichene Wand.

Schauen Sie kurz durch das Zielfernrohr. Wenn das Absehen auf den ersten Blick unscharf erscheint, muss es neu fokussiert werden. Drehen Sie das Okular im oder gegen den Uhrzeigersinn und blicken Sie dabei durch das Zielfernrohr, bis das Absehen schärfer erscheint. Schauen Sie ein paar Sekunden lang in eine andere Richtung und blicken Sie dann erneut durch das Zielfernrohr, um die Schärfe des Absehens zu überprüfen. Denken Sie daran, nur kurz durch das Zielfernrohr zu schauen, da Ihr Auge kleinere Unschärfen bei längerem Hinschauen ausgleicht. Sollte das Absehen nicht sofort scharf erscheinen, nehmen Sie weitere Feinjustierungen vor. Wiederholen Sie diesen Vorgang, bis das Absehen beim Blick durch das Zielfernrohr scharf und deutlich zu erkennen ist.

Sofern sich Ihre Augen im Laufe der Jahre nicht wesentlich verändern, müssen Sie diese Einstellung nicht erneut vornehmen.

AKTIVIEREN DER BATTERIE

Bevor Sie Ihr Zielfernrohr zum ersten Mal einschalten, müssen Sie die eingelegte CR2032-Lithium-Batterie aktivieren, indem sie die schützende Plastikscheibe entfernen, durch die die Batterie abgeklemmt wird.

1. Schrauben Sie die Batterieabdeckung (am Ende der Helligkeitsregelung, auf der linken Seite des Zielfernrohrs) gegen den Uhrzeigersinn ab. Wir empfehlen, den Helligkeitsring ruhig zu halten, während Sie die Batterieabdeckung abschrauben.
2. Sobald die Abdeckung entfernt ist, kippen Sie die Batterie aus dem Zielfernrohr. Entfernen Sie nun die Plastikscheibe.
3. Legen Sie die Batterie wieder ein und schließen Sie das Batteriefach.

Wenn Ihr Absehen schwächer oder gar nicht mehr leuchtet, tauschen Sie die Batterie wie oben beschrieben aus.



Hinweis: Entfernen Sie vor dem ersten Gebrauch die Kunststoffscheibe unter der Knopf-batterie.

VORSICHT: Wird die Batterie falsch eingelegt, können die internen Kontakte beschädigt werden. Achten Sie darauf, dass die positive (+) Seite nach oben und die negative (-) Seite nach unten zeigt.

BEFESTIGUNG VON MONTAGE, RINGEN UND ZIELFERNROHR AN IHREM GEWEHR



WARNUNG: STELLEN SIE VOR BEGINN DES MONTAGEVORGANGS SICHER, DASS DER VERSCHLUSS GEÖFFNET IST, DER CLIP ODER DAS MAGAZIN ENTFERNT WURDE UND DIE LADEKAMMER LEER IST. VERWENDEN SIE IHRE WAFFE NICHT, BEVOR SIE FÜR SICHER BEFUNDEN UND ZUR VERWENDUNG FREIGEgeben WURDE.



WARNUNG: WENN DAS ZIELFERNROHR NICHT WEIT GENUG VORNE MONTIERT IST, KANN ES DURCH DESSEN RÜCKWÄRTSBEWEGUNG BEIM RÜCKSTOSS DES GEWEHRS ZU EINER VERLETZUNG DES SCHÜTZEN KOMMEN.

Wir empfehlen, bei der Montage Ihres Zielfernrohrs keine Arbeitsschritte abzukürzen, da es hierbei zu Schäden am Montagesystem oder dem Zielfernrohr kommen kann. Für jedes Montagesystem gibt es eine eigene Anleitung, die Sie am besten vorher durchlesen sollten, um sicherzustellen, dass Sie alles verstehen und die notwendigen Werkzeuge zur Hand haben.

Wir empfehlen Ihnen, den Montagevorgang zweimal durchzugehen. Das erste Mal, um sicherzustellen, dass alles zusammenpasst und richtig funktioniert. Beachten Sie beim ersten Durchgang bitte Folgendes:

- › Reinigen Sie die Montagelöcher im Gehäuse und die Gewinde der Befestigungsschrauben mit hochprozentigem Reinigungsalkohol oder einem anderen guten Lösungsmittel, um Öl oder Fett zu entfernen, bevor Sie den Sockel anbringen.
- › Wenn der Hersteller der Montage die Verwendung eines Gewindeklebers empfohlen hat, verwenden Sie diesen nicht beim ersten Probelauf. Wenn der Kleber ausgehärtet ist, lässt sie sich nur schwer wieder auseinanderbauen, wenn etwas korrigiert werden muss, und es können Kleberreste zurückbleiben.
- › Achten Sie darauf, dass die Montageschrauben nicht in das Gehäuse hineinragen.
- › Verwenden Sie das Zielfernrohr nicht als Hebel, wenn Sie es mit Schwalbenschwanz-, Twist-in- oder Twist-and-Lock-Ringmontagen befestigen. Der anfängliche Widerstand beim Drehen kann zu Schäden am Zielfernrohr führen, die nicht von der Garantie abgedeckt sind. Wir empfehlen, einen Holzdübel oder einen Metallzylinder zur Befestigung der Ringe zu verwenden.
- › Vergewissern Sie sich, dass die Funktionsweise des Systems nicht von der Position des Zielfernrohrs beeinträchtigt wird.
- › Vergewissern Sie sich, dass zwischen den Seiten der Ringe und sämtlichen vorstehenden Flächen wie dem Turmgehäuse (Sattel), der Drehscheibe zur Leistungsauswahl und dem Trichter der Objektivglocke mindestens 2 mm Abstand besteht. Achten Sie außerdem darauf, dass zwischen der Objektivglocke und dem Lauf mindestens 3 mm Spielraum vorhanden sind.
- › Überprüfen Sie, ob der Augenabstand des Zielfernrohrs richtig eingestellt ist. Die Ringe des Zielfernrohrs sollten locker genug sein, damit es sich leicht verschieben lässt. Zielfernrohre mit variabler Leistung sollten bei diesem Vorgang auf die stärkste Vergrößerung eingestellt sein. Befestigen Sie das Zielfernrohr auf dem Gewehr und schauen Sie hindurch, während Sie sich in Ihrer normalen Schießposition befinden.
- › Legen Sie mehrmals an und überprüfen Sie dabei den Wangenkontakt, um sicherzustellen, dass Ihr Zielfernrohr richtig positioniert ist.
- › Wenn Sie sich vergewissert haben, dass alles stimmt, markieren Sie die relativen Positionen mit Klebeband oder ähnlichem, bauen alles wieder auseinander und beginnen noch einmal von vorne. Ziehen Sie diesmal alle Schrauben fest an.

SEITENFOKUS UND HELLIGKEITSREGELUNG

- › Der innere Seitenfokusring sollte auf die Zieldistanz eingestellt werden, um das Zielbild zu fokussieren und Parallaxenfehler zu beseitigen.
- › Die externe Beleuchtungssteuerung verfügt über 6 Intensitätseinstellungen mit abwechselnden Aus-Positionen. Wenn eine Beleuchtung des Fadenkreuzes gewünscht wird, ändern Sie den Wert auf einen geeigneten Sollwert. Die Helligkeit nimmt mit höheren Zahlen zu. Drehen Sie den Drehschalter auf eine beliebige 0-Position, wenn keine Beleuchtung gewünscht ist oder das Zielfernrohr nicht verwendet wird, um die Batterie zu schonen.



HÖHEN- UND SEITENVERSTELLTÜRME

Die Zielfernrohre der R5-Serie von Bushnell verfügen über mit dem Finger einstellbare Höhen- und Seitenverstellungen mit hörbarem Klicken.

1. Entfernen Sie die Abdeckungen der Höhen- und Seitenverstellungen.
2. Drehen Sie den Verstellknopf in die durch die Pfeile angezeigte Richtung („oben“ oder „unten“). Jeder „Klick“ oder Schritt auf dem Ring der Einstellskala ändert den Aufschlagpunkt um 1/2 Bogenminuten (MOA). 1/2 MOA entspricht ca. 1/2 Zoll (1,3 cm) auf 100 Yards (91 Meter), 1 Zoll (2,5 cm) auf 200 Yards (183 Meter) usw.



Höhenverstellung



Seitenverstellung

EINSTELLUNG DER VARIABLEN LEISTUNG - VERGRÖßERUNG

Um die Vergrößerung zu ändern, drehen Sie die Drehscheibe zur Leistungsänderung, bis die gewünschte Zahl auf der Leistungsskala mit dem Indexpunkt übereinstimmt. Variable Zielfernrohre sollten bei der Ansitz- oder Pirschjagd auf die niedrigste Leistung eingestellt sein. So erhalten Sie für schnelle Schüsse aus nächster Nähe das größtmögliche Sichtfeld. Höhere Leistungen sollten nur bei präzisen Schüssen auf große Entfernungen verwendet werden.

VORLÄUFIGES EINSTELLEN DER VISIERUNG

Sie können sich eine ganze Menge Frustration und Kosten sparen, wenn Sie Ihr Zielfernrohr auf Ihr Gewehr einstellen, bevor Sie es auf dem Schießstand einschießen.

Um ihr Zielfernrohr vorab einzustellen, gibt es zwei grundlegende Methoden. Methode eins ist die Verwendung einer Bushnell®-Einschießhilfe (Laser, magnetisch oder Standard). Die Verwendung einer Einschießhilfe spart Zeit und Munition und ist die von Büchsenmachern am häufigsten verwendete Methode. Die zweite Methode ist das traditionelle Zielen mit dem Zielfernrohr:

TRADITIONELLE EINSTELLMETHODE

1. Bei einem Kleinkalibergewehr platzieren Sie das Ziel in einer Entfernung von 23 bis 46 Metern. Bei einem Zentralfeuergewehr platzieren Sie das Ziel in einer Entfernung von 46 bis 91 Metern.
2. Entfernen Sie den Bolzen vom Gewehr.
3. Legen Sie das Gewehr auf Sandsäcken oder einer Schießauflage auf.
4. Stellen Sie das Zielfernrohr auf die niedrigste Vergrößerung.
5. Schauen Sie von der Kammer aus durch den Lauf des Gewehrs und positionieren Sie das Gewehr so, dass sich der Mittelpunkt der Zielscheibe in der Mitte des Gewehrlaufs befindet (Abb. A).
6. Schauen Sie durch das Zielfernrohr, ohne das Gewehr dabei zu bewegen, und achten Sie auf die Position des Absehens auf dem Ziel. Entfernen Sie die Kappen von den Höhen- und Seitenverstellungen und stellen Sie sie so ein, dass sich das Absehen in der Mitte der Zielscheibe befindet (Abb. B).

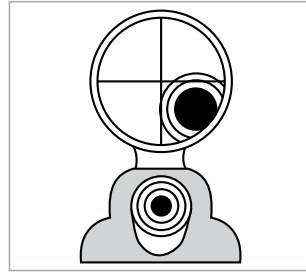


Abb. A

Fadenkreuz nicht ausgerichtet

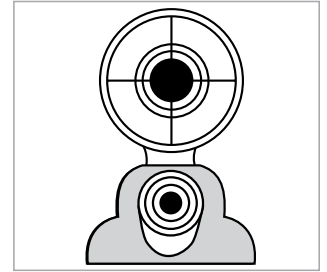


Abb. B

Fadenkreuz in Ausrichtung

ABSCHLIEßENDES EINSCHIEßEN



WARNUNG: DA BEI DIESEM VORGANG MIT SCHARFER MUNITION GESCHOSSEN WIRD, SOLLTE ER AN EINEM ZUGELASSENEN SCHIESSPLATZ ODER EINEM ANDEREN SICHEREN ORT DURCHFÜHRT WERDEN. WAFENLAUF AUF VERSTOPFUNGEN PRÜFEN. EIN VERSTOPFTER LAUF KANN ZU VERLETZUNGEN BEI IHNEN ODER PERSONEN IN DER NÄHE FÜHREN. ES WERDEN AUGEN- UND GEHÖRSCHUTZ EMPFOHLEN.

- › Geben Sie aus einer stabilen Ruheposition zwei oder drei Schüsse auf ein Ziel in 25-50 Yards (23 - 46 Meter) Entfernung ab. Achten Sie auf den Treffpunkt auf dem Ziel und passen Sie die Seiten- und Höhendreh Scheiben nach Bedarf an.
- › Um den Treffpunkt des Geschosses zu verschieben, drehen Sie die Höhen- und Seitenverstellungen in Richtung des Treffpunkts auf dem Ziel (sind die Schüsse zu tief, drehen Sie die Höhenverstellung nach „unten“). Die Einstellungen an Ihrem Zielfernrohrmodell sind in MOA (Bogenminuten) markiert und der Treffpunkt auf 100 Yards (91 Meter) ändert sich bei jedem Klick der Höhen- oder Seitenverstellung um 1/4 MOA oder etwa 0,6 cm – eine volle Umdrehung der Verstellung=15 MOA.
- › Wenn die Treffpunkte auf die anfängliche Zielentfernung zufriedenstellend sind, wechseln Sie für das abschließende Einschießen zu einer Zielscheibe in der gewünschten Entfernung (empfohlen werden 50 Yards/46 Meter). Modelle mit variabler Leistung stellen Sie auf die gewünschte Vergrößerung sein.

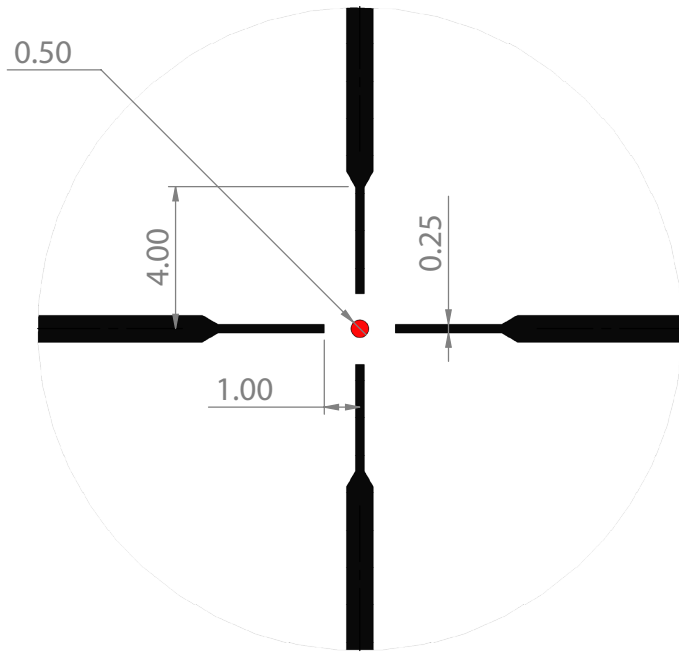
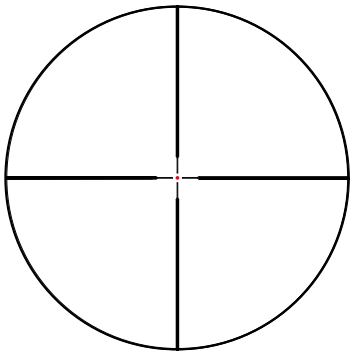
ZURÜCKSETZEN DER EINSTELLRÄDCHEN

1. Halten Sie das jeweilige Einstellrädchen mit Ihrer freien Hand fest (um ein versehentliches Verstellen zu vermeiden) und entfernen Sie mit einer Münze, einem Schlüssel oder einem Flachkopfschraubendreher die Befestigungsschraube, die sich auf der Oberseite des Einstellrädchens befindet.
2. Entfernen Sie das Einstellrädchen und bringen Sie es anschließend wieder auf seinem Sockel auf, sodass die Nullmarkierung auf dem Einstellrädchen mit der vertikalen Einstellungsmarkierung am Sockel übereinstimmt.
3. Bringen Sie die Befestigungsschraube des Einstellrädchens wieder an seiner Oberseite an und ziehen Sie sie fest. Achten Sie darauf, das Einstellrädchen währenddessen mit Ihrer freien Hand festzuhalten, damit sich das Einstellrädchen beim Festziehen der Schraube nicht dreht und verstellt.
4. Wiederholen Sie den beschriebenen Vorgang beim anderen Einstellrädchen.



BELEUCHTETES MULTI-X-ABSEHEN

Abmessungen in MOA



AUFBEWAHRUNG

Vermeiden Sie es, das Zielfernrohr an heißen Orten wie dem Innenraum eines Fahrzeugs an einem heißen Tag aufzubewahren. Hohe Temperaturen können die Schmier- und Dichtungsmittel beeinträchtigen. Verwenden Sie nach Möglichkeit den Kofferraum eines Fahrzeugs oder einen Waffen- oder Wandschrank. Lassen Sie das Zielfernrohr niemals an einem Ort, an dem direktes Sonnenlicht in das Objektiv oder die Okularlinse eindringen kann. Die Konzentration der Sonnenstrahlen kann zu Schäden führen (Brennlasereffekt).

PFLEGE IHRES ZIELFERNROHRS

Der Wartungsaufwand für Ihr Zielfernrohr ist sehr gering. Die äußeren Metalloberflächen sollten sauber gehalten werden. Meistens genügt es, sie mit einem leicht angefeuchteten weichen Tuch etwas abzustauben.

Die Höhen- und Seitenverstelltürme Ihres neuen Zielfernrohrs sind vollständig gegen das Eindringen von Wasser abgedichtet. Wir empfehlen jedoch, die Höhen- und Seitenverstellkappen auf den Türmen zu lassen, wenn Sie nichts verstellen müssen, um zu verhindern, dass sich Staub und Schmutz im Turmbereich ansammeln.

Außerdem empfehlen wir die Verwendung einer Objektivabdeckung oder Schutzhülle, wenn das Zielfernrohr nicht benutzt wird. Die Linsen sollten regelmäßig überprüft und stets sauber gehalten werden. Staub, Schmutz und Fingerabdrücke, die sich auf den Linsenoberflächen ansammeln, können die Bildqualität erheblich beeinträchtigen und zu Schäden an der Antireflexbeschichtung führen, wenn die Linsen längere Zeit nicht gereinigt werden. Auch wenn das Reinigen der Linsen nicht schwierig ist, sind Sorgfalt und Geduld erforderlich.

- › Bei starker Verschmutzung, etwa durch getrockneten Schlamm, sollte sauberes Wasser mit geringem Druck verwendet werden, um die Verunreinigungen wegzuspülen.
- › Beginnen Sie mit einem Objektivpinsel, einem kleinen, unbenutzten und weichen Hobbypinsel oder einem Make-up-Pinsel. Wischen Sie
- › lose Schmutzpartikel vorsichtig weg.
- › Benutzen Sie dann eine Ohrenspritze oder einen Pumpball (in den meisten Drogerien erhältlich), um verbleibenden Schmutz oder Staub von den Linsenoberflächen wegzublase.
- › Falls eine weitere Reinigung erforderlich ist, verwenden Sie ein trockenes, weiches, fusselfreies Tuch. Wischen Sie die Linse sanft ab. Beginnen Sie mit kreisenden Bewegungen in der Mitte und arbeiten Sie sich zum Rand hin vor.
- › Wenn das Problem so nicht behoben werden konnte, befeuchten Sie die Linse mit Ihrem Atem und wiederholen den Vorgang.

! WARNUNG: UNNÖTIGES REIBEN ODER DIE VERWENDUNG EINES GROBEN TUCHES KÖNNEN ZU DAUERHAFTEN SCHÄDEN AN DEN LINSENBESCHICHTUNGEN FÜHREN.

WARTUNG

Auch wenn Ihr Zielfernrohr extrem strapazierfähig ist, handelt es sich hierbei um ein Präzisionsinstrument, das mit angemessener Sorgfalt gepflegt werden muss.

- › Staub und Verschmutzungen sollten beim Reinigen der Linsen zunächst durch Pusten oder mit einem weichen Objektivpinsel entfernt werden. Fingerabdrücke und Flecken können mit einem Linsentuch oder einem sauberen, mit Objektivreiniger angefeuchteten Lappen entfernt werden.
- › Alle beweglichen Teile des Zielfernrohrs sind dauergeschmiert. Versuchen Sie nicht, sie zu schmieren. Die äußere Oberfläche des Zielfernrohrs benötigt nur wenig bis gar keine Pflege. Manchmal werden Schrauben aus schwarzem Oxid zur Abdichtung von Entlüftungsöffnungen und für die
- › Verbindung zwischen der Drehscheibe zur Leistungsänderung und dem Umkehrsystem verwendet. Wenn das Zielfernrohr Wasser ausgesetzt ist, können Sie bei der routinemäßigen Wartung
- › der Waffe einen dünnen Film eines typischen Waffenöls auf die Schrauben auftragen, um die Korrosion zu verringern.
- › Verwenden Sie nach Möglichkeit Objektivabdeckungen, falls verfügbar.

HÖHE UND TEMPERATUR

Die von Munitionsherstellern veröffentlichten ballistischen Tabellen basieren auf Standardbedingungen auf Meereshöhe. Beachten Sie beim Einschießen, dass die Flugbahn von Höhe und Temperatur beeinflusst wird. Am besten ist es, wenn das Einschießen unter denselben Bedingungen wie die anschließende Jagd vorgenommen wird.

TECHNISCHE SPEZIFIKATIONEN

SKU	Vergr. X Objektivdm.	Absehen	Verstelltürme	Max. Höhenstellweg	Max. Seitenstellweg	Verstellung pro Umdrehung	Durchmesser des Hauptrohrs (Zoll)	Durchschnittlicher Augenabstand (Zoll/mm)	Sichtfeld in Fuß auf 100 Yards / in Metern auf 100 Meter	Länge (Zoll/mm)	Gewicht (oz/g)
R5-3940S9	3-9x40	Illuminated Multi-X	Capped	80 MOA	80 MOA	15 MOA	1	3.9/100	35ft - 12ft/11.7m - 4m	11.5/292	19.5/553
R5-3950S9	3-9x50	Illuminated Multi-X	Capped	80 MOA	80 MOA	15 MOA	1	3.9/100	35ft - 12ft/11.7m - 4m	12.3/313	21.7/614

Die Garantie deckt keinen Diebstahl, Verlust, vorsätzliche Beschädigung oder kosmetische Schäden ab, die die Leistung des Produkts nicht beeinträchtigen.

Nur gültig in den Vereinigten Staaten und Kanada.

©2024 Bushnell Outdoor Products
 Bushnell,™, ®, denote trademarks of Bushnell Outdoor Products
 www.bushnell.com
 22101 W. 167th St., Olathe, KS 66062

*Modello 4-12x40 mostrato di seguito



Accessori inclusi:

- > Copriobiettivo
- > Panno per la pulizia

SCEGLIERE IL CANNOCCHIALE DA PUNTAMENTO BUSHNELL R5 È STATA LA DECISIONE GIUSTA!

Bushnell® è costantemente all'avanguardia in termini di qualità e valore e i cannocchiali della serie R5 non fanno eccezione. I cannocchiali da puntamento Bushnell R5 sono costruiti con la migliore tecnologia disponibile: le lenti multistrato e la protezione IPX7 mediante spurgo con azoto secco offrono immagini nitide e luminose in qualsiasi ambiente.

Tutte le superfici esterne delle lenti sono dotate del rivestimento EXO Barrier™ di Bushnell (oltre al rivestimento multistrato). EXO Barrier è la migliore tecnologia di rivestimento protettivo per lenti che Bushnell abbia sviluppato finora. Aggiunto alla fine del processo di rivestimento, EXO Barrier forma legami molecolari con la lente e riempie i microscopici pori del vetro. Il risultato è un eccellente rivestimento repellente: acqua, olio, nebbia, polvere, detriti, pioggia, neve, impronte digitali e sporczia non aderiscono.

Effettuare la scansione del codice per scaricare l'app gratuita Bushnell Ballistics. L'app Bushnell Ballistics è una soluzione balistica completa per il calcolo delle soluzioni di tiro con i telemetri e i cannocchiali da puntamento Bushnell. Consente di utilizzare le condizioni atmosferiche per calcolare i valori di hold e visualizza le distanze da ciascuna sottotensione sul reticolo — molte altre funzionalità per migliorare la tua esperienza di tiro.



AVVERTENZA: NON GUARDARE MAI IL SOLE ATTRAVERSO IL CANNOCCHIALE (O QUALSIASI ALTRO STRUMENTO OTTICO). PUÒ DANNEGGIARE PERMANENTEMENTE LA VISTA.

ELEMENTI FONDAMENTALI DI UN CANNOCCHIALE DA PUNTAMENTO

1. **Obiettivo:** l'obiettivo ha tre funzioni. In primo luogo, consente alla luce di passare attraverso il cannocchiale. In secondo luogo, determina la risoluzione. In generale, gli obiettivi più grandi consentono a una quantità maggiore di luce di entrare nel cannocchiale e, rispetto a quelli più piccoli, permettono di vedere un numero maggiore di dettagli. Infine, forma un'immagine che le altre lenti possono ingrandire fino a una dimensione utilizzabile. Questa immagine è capovolta.
2. **Sistema erettore:** l'erettore svolge diverse funzioni. La sua funzione principale è quella di erigere l'immagine (raddrizzandola) e allinearla al reticolo. Durante questo processo avviene l'ingrandimento primario dell'immagine. Queste due funzioni sono il risultato dell'azione della lente.
3. **Controlli di alzo e deriva:** le lenti del sistema erettore sono alloggiare in un tubo che ha un'estremità fissa e un'altra estremità libera di muoversi e rispondere alle regolazioni. Muovendo il sistema erettore, il punto di mira del cannocchiale viene regolato in modo da corrispondere al punto di impatto del proiettile.
4. **Reticolo:** in termini semplici, si tratta del dispositivo di puntamento attorno al quale è costruito il cannocchiale. Questo elemento sostituisce il sistema di puntamento in ferro delle carabine senza mirino.
5. **Lente oculare o semplicemente oculare:** questo elemento fornisce l'ingrandimento secondario e finale dell'immagine.

MONTAGGIO DEL CANNOCCHIALE DA PUNTAMENTO

Nonostante il design e le funzioni tecnologicamente avanzati, per garantire prestazioni ottimali il nuovo cannocchiale

deve essere montato correttamente. Due dei fattori più importanti che contribuiscono alla precisione del cannocchiale e della carabina sono la scelta dell'attacco e la cura nel montaggio. Scegliere un attacco affidabile in grado di fissare saldamente il cannocchiale alla carabina garantirà affidabilità e precisione. Nella scelta del sistema di attacco, è opportuno prestare la stessa cura che si è prestata nella selezione del cannocchiale.

Tenere presente che non tutti i cannocchiali sono compatibili con tutti gli attacchi su tutte le carabine. In caso di dubbi, richiedere l'assistenza del rivenditore o dell'armaiolo locale.

AVVERTENZA: NON UTILIZZARE MAI UN CANNOCCHIALE DA PUNTAMENTO COME SOSTITUTO DI UN BINOCOLO O MONOCULARE, POICHÉ LA CARABINA POTREBBE VENIRE INAVVERTITAMENTE PUNTATA VERSO UN'ALTRA PERSONA.

REGOLAZIONI PRELIMINARI DEL CANNOCCHIALE - REGOLAZIONE DIOTTRICA

AVVERTENZA: NON GUARDARE VERSO IL SOLE DURANTE LA REGOLAZIONE DIOTTRICA!

Prima di montare il cannocchiale, si consiglia di regolare la messa a fuoco dell'oculare in base ai propri requisiti visivi. La rifocalizzazione diottrica permette di ottenere una messa a fuoco del reticolo più nitida e un'immagine ottica migliore ed evita che gli occhi si affaticino quando si utilizza il cannocchiale per lunghi periodi di tempo. Per rifocalizzare, tenere il cannocchiale a 7,5-10 cm di distanza dall'occhio e puntarlo verso un'area completamente illuminata, ad esempio una parete verniciata di un solo colore chiaro.

Dare un'occhiata rapida nel cannocchiale. Se a prima vista il reticolo appare sfocato, significa che non è a fuoco. Ruotare l'oculare in senso orario o antiorario mentre si guarda nel cannocchiale fino a quando la nitidezza del reticolo non migliora. Distogliere lo sguardo dall'oculare per un paio di secondi, quindi dare di nuovo un'occhiata rapida nel cannocchiale per verificare la nitidezza del reticolo. È importante che le occhiate siano rapide per evitare che l'occhio compensi le condizioni di leggera sfocatura. Se il reticolo non appare subito a fuoco, continuare a compiere piccoli aggiustamenti. Ripetere la procedura fino a quando il reticolo non risulta nitido e ben definito non appena si guarda nel cannocchiale.

A meno che la propria vista non subisca grandi variazioni negli anni, questa regolazione non si rende più necessaria.

ATTIVAZIONE DELLA BATTERIA

Prima di accendere il cannocchiale per la prima volta, è necessario attivare la batteria al litio CR2032 installata rimuovendo il disco di plastica protettivo che ricopre la batteria.

1. Ruotare in senso antiorario il coperchio dello scomparto della batteria, posizionato all'estremità del comando per la regolazione dell'illuminazione, sul lato sinistro del cannocchiale. Si consiglia di mantenere ferma la ghiera per la regolazione dell'illuminazione mentre si svita il coperchio della batteria.
2. Dopo aver rimosso il coperchio, estrarre la batteria dal cannocchiale. Individuare il disco di plastica e rimuoverlo.
3. Riposizionare la batteria e il coperchio.



Nota: prima del primo utilizzo, rimuovere il disco di plastica sotto la batteria a bottone.

Se il reticolo si affievolisce o non si illumina, sostituire la batteria seguendo la procedura di installazione descritta in precedenza.

ATTENZIONE: un'installazione errata della batteria potrebbe causare danni ai contatti interni. Posizionare il polo positivo (+) rivolto verso l'alto e il polo negativo (-) verso il basso.

FISSAGGIO DI ATTACCO, ANELLI E CANNOCCHIALE ALLA CARABINA

AVVERTENZA: PRIMA DI PROCEDERE AL MONTAGGIO, ASSICURARSI CHE L'AZIONE SIA APERTA, IL FERMO O IL CARICATORE SIA STATO RIMOSSO E NON SIA RIMASTO UN COLPO NELLA CAMERA. NON TENTARE DI ESEGUIRE ALCUNA AZIONE FINCHÉ L'ARMA DA FUOCO NON È SCARICA E NON È RITENUTA SICURA.

AVVERTENZA: QUALORA IL CANNOCCHIALE NON VENGA MONTATO A UNA DISTANZA SUFFICIENTE, IL MOVIMENTO DI SPINTA ALL'INDIETRO PUÒ PROVOCARE LESIONI AL TIRATORE A CAUSA DEL CONTRACCOLPO DELLA CARABINA.

Durante il montaggio del cannocchiale si consiglia di NON saltare passaggi, per evitare di danneggiare il sistema di montaggio o il cannocchiale. Per ogni sistema di montaggio sono disponibili delle istruzioni. Si consiglia di leggerle attentamente prima per assicurarsi di comprenderle e di avere gli strumenti necessari a portata di mano.

Si raccomanda altresì di ripetere la procedura di montaggio. La prima volta assicurarsi che tutti gli elementi siano montati e funzionino correttamente e tenere a mente quanto riportato di seguito:

- › Prima di fissare la base, pulire i fori di montaggio nel ricevitore e i filetti delle viti di montaggio con acetone o un altro solvente valido per rimuovere olio o grasso.
- › Se il produttore dell'attacco consiglia l'utilizzo di un adesivo per filetti, non usarlo nella prima prova di montaggio. Una volta che l'adesivo si è asciugato, è difficile rimuoverlo qualora fosse necessario apportare una correzione e lascerà residui.
- › Assicurarsi che le viti di montaggio non sporgano nel ricevitore.
- › Se si utilizzano attacchi a coda di rondine, Twist-in o Twist Lock, non usare il cannocchiale come leva durante l'installazione. La resistenza iniziale alla rotazione può danneggiare il cannocchiale ed eventuali danni risultanti non sono coperti dalla garanzia. Si consiglia di utilizzare un tassello in legno o un cilindro in metallo per bloccare gli anelli.
- › Assicurarsi che la posizione del cannocchiale non interferisca con il funzionamento dell'azione.
- › Assicurarsi che vi sia una distanza di almeno 2 mm tra i bordi degli anelli ed eventuali superfici sporgenti, ad esempio la sede della torretta (sella), l'anello di regolazione dell'ingrandimento e la svasatura della campana dell'obiettivo. Accertarsi inoltre che la campana dell'obiettivo e la canna distino almeno 3 mm l'una dall'altra.
- › Provare la posizione del cannocchiale per verificare che l'estrazione pupillare sia corretta. Lasciare gli anelli sufficientemente allentati affinché il cannocchiale scorra facilmente. Durante questa procedura, impostare il valore di ingrandimento più alto nei cannocchiali a ingrandimento variabile. Montare la carabina e guardare attraverso il cannocchiale nella normale posizione di tiro.
- › Provare la posizione della carabina più volte per assicurarsi che la guancia poggi bene e che il cannocchiale sia posizionato correttamente.
- › Una volta che si è soddisfatti, segnare le posizioni relative con nastro adesivo o simili, smontare il cannocchiale e ripetere la procedura. Questa volta, stringere saldamente tutte le viti.

CONTROLLI DI MESSA A FUOCO LATERALE E ILLUMINAZIONE

- › La ghiera di controllo della messa a fuoco laterale interna deve essere impostata sulla distanza del bersaglio per mettere a fuoco l'immagine del bersaglio e rimuovere l'errore di parallasse.
- › Il controllo dell'illuminazione esterno ha 6 impostazioni di intensità e un TIMER DI SPEGNIMENTO AUTOMATICO per spegnere l'emettitore dopo 6 ore di assenza di movimentazione della manopola di controllo.



TORRETTE DI ALZO E DERIVA

I cannocchiali della serie Bushnell R5 sono dotati di regolazioni dell'alzo e della deriva regolabili con le dita con un clic sonoro.

1. Rimuovere i cappucci dalle regolazioni di alzo e deriva.
2. Afferrare la manopola di regolazione e ruotarla nella direzione "Su" (e "Giù") appropriata indicata dalle frecce. Ogni "clic" o incremento sull'anello della scala di regolazione cambierà l'impatto del proiettile di 1/2 minuto d'angolo. 1/2 MOA corrisponde a circa 1/2 pollice a 100 iarde, 1 pollice a 200 iarde, ecc.



Regolazione alzo



Regolazione deriva

REGOLAZIONE DELL'INGRANDIMENTO VARIABILE

Per modificare l'ingrandimento, ruotare la ghiera della potenza di ingrandimento in modo da allineare il numero desiderato della scala della potenza con il punto dell'indice. Durante la caccia o l'inseguimento di una preda, i cannocchiali di puntamento a ingrandimento variabile devono essere impostati sul valore di ingrandimento minimo. In questo modo sarà possibile ottenere il campo visivo più ampio possibile per colpi veloci a distanza ravvicinata. Utilizzare valori di ingrandimento maggiori per tiri di precisione a lungo raggio.

PUNTAMENTO PRELIMINARE

Eseguire il puntamento preliminare del cannocchiale con la carabina prima di portarlo al poligono per l'azzeramento per evitare di sprecare denaro e forze.

Esistono due metodi di base che è possibile utilizzare per il puntamento preliminare del cannocchiale. Il primo comporta l'utilizzo di un collimatore Bushnell® (laser, magnetico o standard). Consente di risparmiare tempo e munizioni ed è il sistema utilizzato più di frequente dagli armaioli. Il secondo metodo è il puntamento del calibro tradizionale:

METODO DI PUNTAMENTO DEL CALIBRO

1. Posizionare un bersaglio a una distanza compresa tra 25 e 50 iarde (23 e 46 metri).
2. Rimuovere la sicura dalla carabina.
3. Posizionare la carabina su sacchi di sabbia o su un'apposita base di appoggio.
4. Impostare il cannocchiale sul valore di ingrandimento minimo.
5. Guardare attraverso il calibro del ricevitore e regolare la posizione della carabina in modo da centrare il bersaglio nel calibro (Fig. A).
6. Senza spostare la carabina, guardare nel cannocchiale e osservare la posizione del reticolo sul bersaglio. Rimuovere i cappucci della regolazione di alzo e deriva e regolare alzo e deriva per centrare il reticolo con il centro del bersaglio (Fig. B).

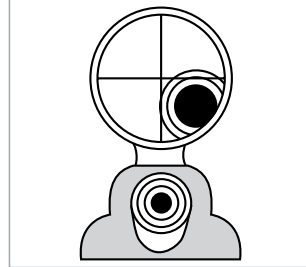


Fig. A
Reticole not in alignment

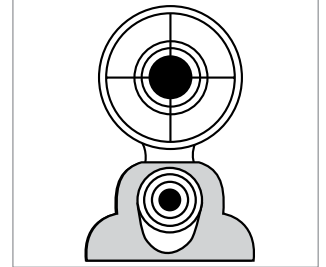


Fig. B
Reticole in alignment

PUNTAMENTO FINALE



AVVERTENZA: POICHÉ LA PROCEDURA PREVEDE ESERCITAZIONI A FUOCO, DEVE ESSERE ESEGUITA IN UN POLIGONO AUTORIZZATO O IN UN'ALTRA ZONA SICURA. CONTROLLARE CHE IL CALIBRO NON SIA OSTRUITO. UN CALIBRO OSTRUITO PUÒ PROVOCARE LESIONI ALL'UTILIZZATORE E AD ALTRI NELLE VICINANZE. SI RACCOMANDA DI UTILIZZARE PROTEZIONI VISIVE E ACUSTICHE.

- › Da una posizione di tiro stabile, sparare due o tre colpi a un bersaglio a 25-50 iarde (23-46 metri) di distanza. Osservare l'impatto del proiettile sul bersaglio e regolare le manopole di alzo e deriva di conseguenza.
- › Per spostare l'impatto del proiettile, ruotare le manopole di alzo e deriva nella direzione corrispondente al punto di impatto sul bersaglio. Ad esempio, se i tiri di prova sono bassi, regolare l'alzo verso il basso. Le regolazioni sul cannocchiale da puntamento sono contrassegnate in MOA (minuti di arco) e il punto di impatto a 100 iarde cambia di 1/4 di MOA o di circa 1/4 di pollice per ogni scatto della manopola di alzo o deriva. Un giro completo della manopola corrisponde a 15 MOA.
- › Quando l'impatto sul bersaglio alla distanza iniziale è soddisfacente, passare a un bersaglio posto alla distanza desiderata per l'azzeramento finale (si consiglia 50 iarde). Impostare l'ingrandimento sul valore desiderato sui modelli a ingrandimento variabile.

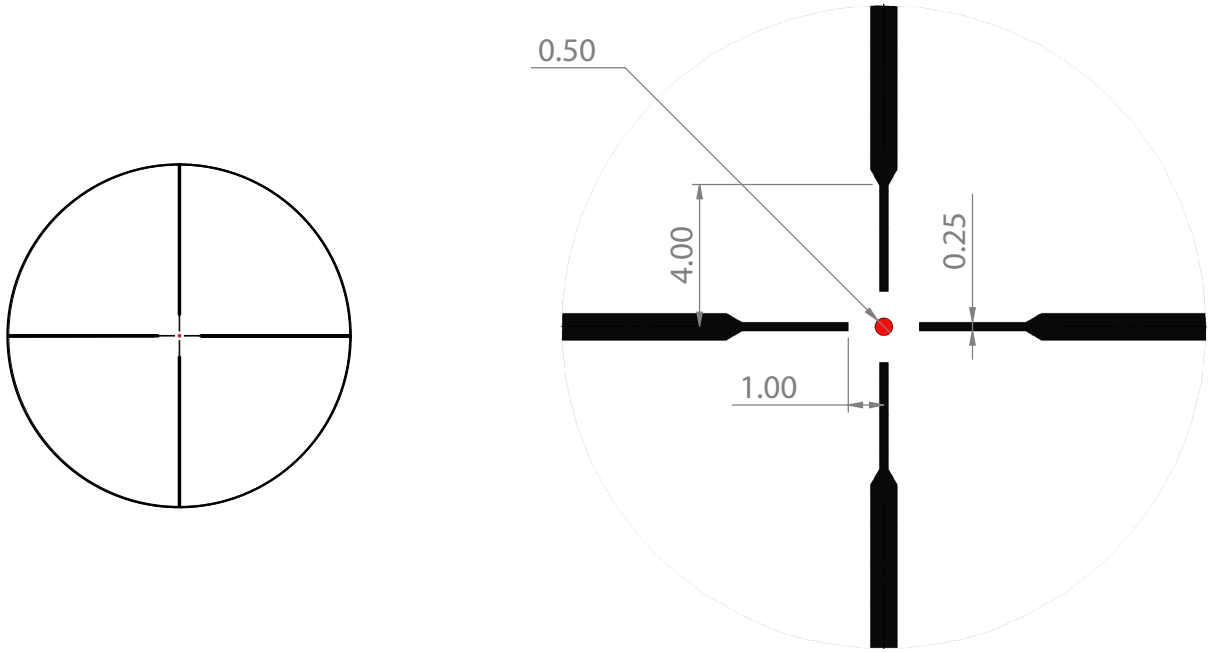
REIMPOSTAZIONE DELLE MANOPOLE DELLA TORRETTA

1. Tenendo ferma la manopola della torretta con la mano libera (per evitare regolazioni accidentali), usa una moneta, una chiave o un cacciavite a testa piatta per rimuovere la vite di fissaggio della torretta che si trova sulla parte superiore della manopola della torretta.
2. Rimuovere la manopola della torretta e riavvitarla nella torretta interna con il segno "zero" sulla manopola allineato con la linea di riferimento verticale sul corpo della torretta interna.
3. Riavvitare la vite della manopola della torretta sulla parte superiore della manopola e serrarla, assicurandosi di fissare la manopola della torretta con la mano libera in modo che la manopola della torretta non giri mentre si stringe la vite.
4. Ripetere l'operazione per la manopola dell'altra torretta.



RETICOLO ILLUMINATO MULTI-X

Dimensioni in MOA



CONSERVAZIONE

Evitare di riporre il mirino in luoghi caldi, come l'abitacolo di un veicolo nelle giornate calde. Le temperature elevate potrebbero danneggiare i lubrificanti e gli isolanti. È preferibile riporre il dispositivo nel bagagliaio del veicolo, in una fuciliera o in un armadietto. Non posizionare mai il cannocchiale in modo che la luce solare possa penetrare direttamente nell'obiettivo o nell'oculare. La concentrazione dei raggi solari potrebbe causare danni (effetto specchio ustorio).

MANUTENZIONE DEL CANNOCCHIALE DA PUNTAMENTO

Il cannocchiale richiede una manutenzione minima. Tenere pulite le superfici in metallo esterne. Nella maggior parte dei casi è sufficiente una spolverata con un panno morbido leggermente inumidito.

Il nuovo cannocchiale è dotato di torrette di alzo e deriva completamente sigillate a protezione dalle infiltrazioni di acqua. Tuttavia, si consiglia di lasciare i cappucci di alzo e deriva sulle torrette, a eccezione di quando si effettua una regolazione, per impedire l'accumulo di polvere e sporcizia nell'area della torretta.

Si consiglia inoltre di proteggere il cannocchiale, quando non viene utilizzato, tramite un coprilente o una custodia. Le lenti devono essere ispezionate regolarmente e tenute sempre pulite. La polvere, lo sporco e le impronte digitali che si accumulano sulle superfici delle lenti riducono drasticamente la qualità dell'immagine e, se non si puliscono per lunghi periodi, il rivestimento antiriflesso potrebbe danneggiarsi. La pulizia delle lenti è semplice, ma richiede cura e pazienza.

- › In caso di sporco ostinato, come fango secco, è necessario utilizzare acqua pulita a bassa pressione per lavare via i detriti.
- › Iniziare con un pennello per lenti o un piccolo pennello da pittura o da trucco con setole morbide pulite. Rimuovere delicatamente le particelle di sporco.
- › Quindi, utilizzare un soffiato o una siringa auricolare (reperibile nella maggior parte delle farmacie) per soffiare via lo sporco o la polvere rimanenti dalla superficie delle lenti.
- › Per una pulizia più approfondita, utilizzare un panno morbido asciutto e privo di lanugine. Pulire delicatamente la lente, partendo dal centro con un movimento circolare e procedendo verso l'esterno fino ai bordi.
- › Se il problema persiste, ripetere la procedura usando il fiato.



AVVERTENZA: GLI SFREGAMENTI NON NECESSARI O L'USO DI PANNI RUVIDI POTREBBERO DANNEGGIARE PERMANENTEMENTE I RIVESTIMENTI DELLE LENTI.

MANUTENZIONE

Il cannocchiale, sebbene incredibilmente robusto, è uno strumento di precisione che merita una cura ragionevolmente prudente.

- › Quando si puliscono le lenti, soffiare via prima lo sporco secco o la polvere oppure utilizzare un pennello morbido per lenti. Impronte digitali e lubrificanti possono essere rimossi con un panno per lenti o un panno morbido e pulito, inumidito con un liquido detergente per lenti.
- › Tutte le parti mobili del cannocchiale sono lubrificate in modo permanente. Non lubrificarle ulteriormente.
- › La superficie esterna del cannocchiale richiede una manutenzione minima. Talvolta vengono utilizzate viti brunate per sigillare le porte di spurgo e/o per collegare la ghiera di regolazione dell'ingrandimento all'erettore.
- › Se il cannocchiale è esposto all'acqua, considerare l'applicazione di un sottile strato di normale olio per armi da fuoco sulle viti durante la manutenzione ordinaria dell'arma da fuoco per limitare la corrosione.
- › Utilizzare il copriobiettivo se disponibile e secondo convenienza.

ALTITUDINE E TEMPERATURA

Le tabelle balistiche pubblicate dai produttori di munizioni si riferiscono a condizioni atmosferiche ad altitudini standard. Durante il puntamento si consiglia di tenere a mente che l'altitudine e la temperatura influenzano la traiettoria. È meglio eseguire il puntamento nelle stesse condizioni in cui si andrà a caccia.

SPECIFICHE TECNICHE

SKU	Ingr. x diam. obiet.	Reticolo	Torrette	Alzo totale	Deriva totale	Corsa per giro completo	Diametro tubo principale	Estrazione pupillare media (pollici/mm)	Campo visivo, piedi a 100 iarde, metri a 100 metri	Lunghezza in (mm)	Peso (oz/g)
R5-3940S9	3-9x40	Illuminated Multi-X	Capped	80 MOA	80 MOA	15 MOA	1	3.9/100	35ft - 12ft/11.7m - 4m	11.5/292	19.5/553
R5-3950S9	3-9x50	Illuminated Multi-X	Capped	80 MOA	80 MOA	15 MOA	1	3.9/100	35ft - 12ft/11.7m - 4m	12.3/313	21.7/614

La garanzia non copre furto, smarrimento, danneggiamento intenzionale o danni estetici che non influiscono sulle prestazioni del prodotto. Valido solo negli Stati Uniti e in Canada.

©2024 Bushnell Outdoor Products
Bushnell,™, ®, denote trademarks of Bushnell Outdoor Products
www.bushnell.com
22101 W. 167th St., Olathe, KS 66062